

Easy & Comfortable Real Monitoring System



RMSU

By monitoring ionizers in real time, RMS finds out abnormal symptom in the beginning so that prompt action can be carried out. RMS is an advanced ionizer managing tool for complete automation process. RMS(Real Monitoring System) is a network controlling device that works only with ionizers



Key Features

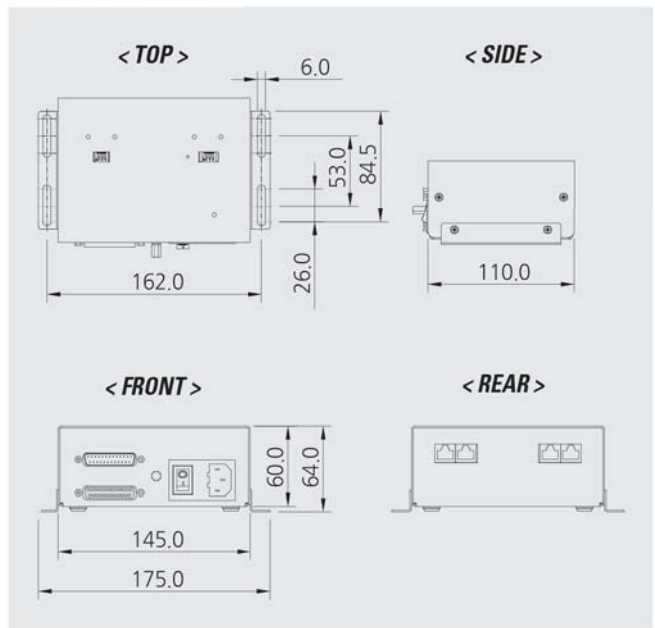
- Identifying communication status between ionizers and PC
- Monitoring ionizers in real time(checking every 1minute or less)
- Reporting ionizer operation status(e.g. Alarming)
- Real time report will be created either the period of time or group of ionizers
- Input(Detailed) individual information & search
- 1 server to 3 clients connection

Specifications

Input Power	AC 100V ~ 240V, 50/60Hz
Power Consumption	Max. 5.5W
Current Consumption	Max. 25mA (AC 220V)
Communication Mode	RS-485
Operation Circumstance	0°C ~ +50°C (32°F ~ 122°F), 35% ~ 85% RH
Main Body Material	EGI
Mounting Method	Bolt Mounting with Bracket
Weight	1kg
Interface	Remote On/Off, Alarm State, Interlock
Warranty	1 year

※ The appearance and specification of the product may be changed without prior notice for the improvement of the product.

Dimensions



Real Monitoring System Diagram Example

