

All about electrostatics, our know-how is yours!

The Next Generation

Soft X-ray Ionizer for Take-out Robot



SXN-05R

Suitable Ionizer for super clean process as there is no dust, electromagnetic wave, ozone. This is developed to prevent dust/contaminants attachment after injection molding and applicable to set on robot arm.



Key Features

- Suitable for robot taking out plastic injection molding.
- By applying laser point, Soft X-ray angle can be visualized. (Angle : 100°)
- Able to remove electrostatic from tiny, adjacent object.
- All-in-one (power supply built-in) for easy installation.
- With RMS(Real Monitoring System), possible to check operation status in real time. (Option)

Specifications

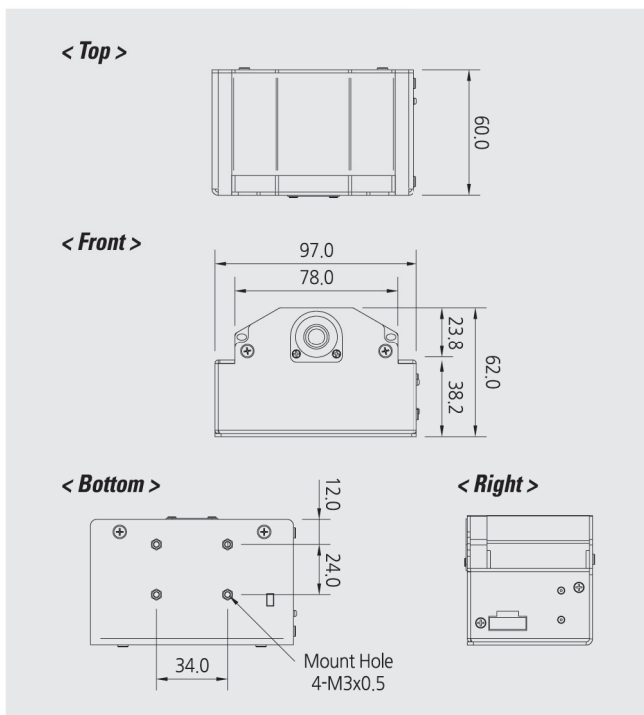
Parameter	Description / Value
Ion Generation Method	Soft X-ray
Source	Soft X-ray Tube
Tube Voltage	5.0kV
Tube Current	540uA
Cooling Method	Natural Air Cooling
Mounting Method	Bolt Mounting with Bracket
Power Consumption	9.6W
Current Consumption	0.40A / DC 24V
Weight	0.28Kg
Alarm	Head Fail
Warning	Life Time Over
Warranty	1 Year(warranty period) or 5,000Hr(warranty life time)

※ The appearance and specification of the product may be changed without prior notice for the improvement of the product.

Radiation Angle



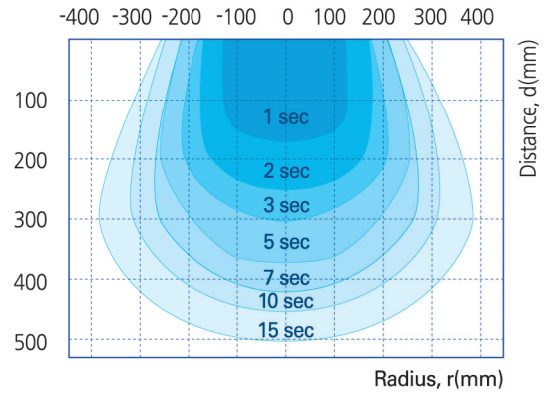
Dimensions



Performance

- Radiation Angle ≒ 150°

▶ Model : SXN-05R



Applications

