



# The Next Generation Ionizer

## New Soft X-ray Ionizer

### SXN-05/10N

Suitable Ionizer for super clean process as there is no dust, electromagnetic wave, ozone. With wide LED, You can recognize operating status at various angles, **You can identify Head location and Serial number** through Controller. Compared to previous model, this improved convenience for various users.

### Key Features

- With wide LED, You can recognize operating status at various angles
- Serial Number of the Head is displayed on controller
- Identify 1-4 head location from controller  
(When you select the Head on the controller, selected Head LED blinks for 6 sec)
- When the communication status between Head and controller is not normal, it stops automatically.
- Individual control for 4 heads to turn on/off using RS-485 communication protocol
- 3 different communication speeds setting available besides basic value (9600bps) (9600, 19200, 38400, 56000 bps)



### Specifications

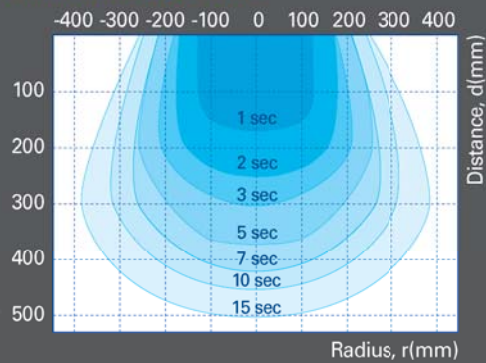
Parameter		Description / Value
Ion Generation Method		Soft X-ray
Source		Soft X-ray Tube
Beam Angle		150°
Input Power		AC 100~240V, 50/60Hz
Power Consumption (with Head)		Max. 50W
Controller Fuse		250V, 3A, 5X20 Glass Type Fuse
Operation Circumstance		0°C ~ +50°C(32°F ~ 122°F), 35% ~ 85% RH
Weight	Head (SXH-05/10N)	0.27kg
	Controller (SXC-104N)	0.62kg
Dimensions		Please Refer to Dimension Drawing
Alarm Function		Head Fail, Head Communication Error
Interface		(Run, Alarm, Power, Over Time, Remote, Interlock) Remote On/Off, Interlock On/Off, Output State
Warranty		1 year

※ The appearance and specification of the product may be changed without prior notice for the improvement of the product.

## Performance

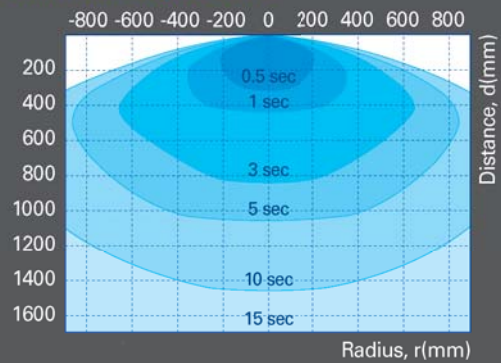
### ▶ SXN-05N

Radiation Angle ≙ 150°



### ▶ SXN-10N

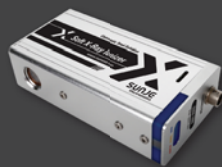
Radiation Angle ≙ 150°



## LED

< Operating >

Blue : Run



< Head replacement >

Yellow : Overtime

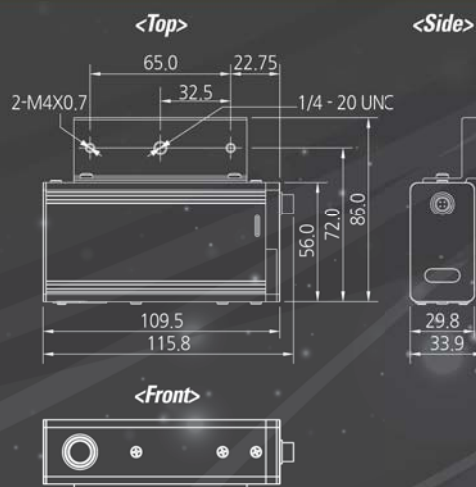


< Malfunction >

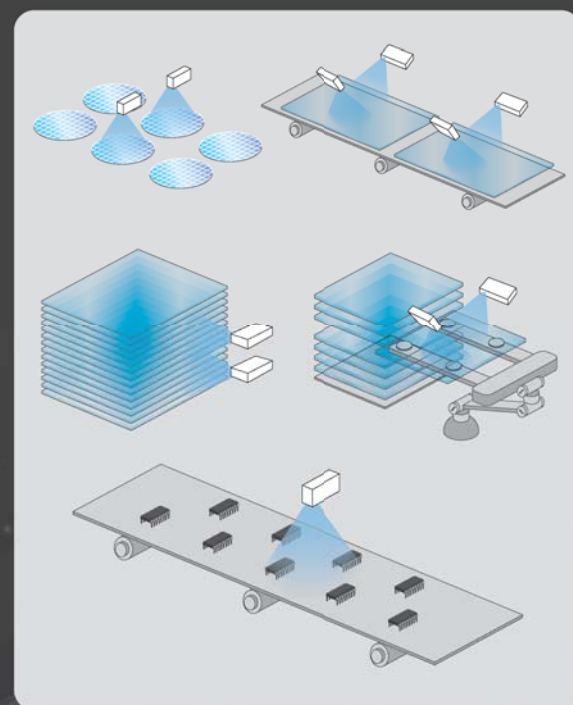
Red : Alarm



## Dimensions



## Applications



Semiconductor Die-Bonding / Wire Bonding / Chip Molding / Trimming & Forming Testing / Polarizer Separating / Glass Cassette / Wafer Cassette / Film Attachment / Exposure / Wafer Oxidation / Etching / Ion Implant / Glass & Wafer Dry / PI Coating / Rubbing / PR Coating / Curing & Baking / Glass Assembly / ODF / Glass & Wafer Cassette Buffer / Conveyor Robot / etc.

### ※ What is Soft X-Ray Ionizer?

Soft X-Ray Ionizer is a next generation model compare to other ionizers by using corona discharge. It doesn't generate particles, electromagnetic waves and ozone and also doesn't need compressed air and any maintenance.