

All about electrostatics, our know-how is yours!

★ ★ ★  
**NEW**  
ARRIVAL  
★

New design called Premium Electrode Nozzle

# Eco Powerful Nozzle

The Eco Powerful Nozzle is an air injection structured and can **possibly reduce air consumption level to 70%** compared to ordinary model. But, the performance is extensively enhanced.

※ The performance of ionizer relies on demands of air consumption level. The faster ionization is desired, the higher level of air pressure and the more air supply are required. With new Eco Powerful Nozzle, the upgraded performance was achieved from lesser air consumption (e.g. only uses 30% of air)

## Key Features

### Air Injector structure

Strong ionization is implemented with least air consumption.

### 3 types of nozzle design

Available in 3 different nozzle types and numerous applications for suitable working environment.

**SIE-4E : Energy Saving type** that uses the least amount of air consumption when ionizing (70% lesser air consumption)

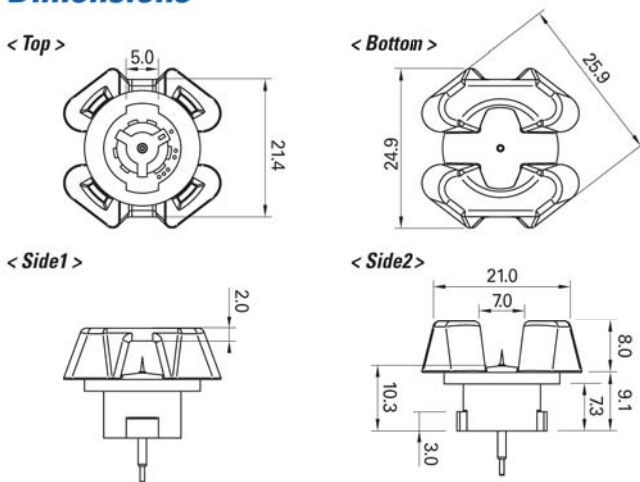
**SIE-4S : Standard type** for general environment.

**SIE-4P : Strengthened type** that the user expects powerful ionization with excessive amount of air consumption

## Specifications

Division	Low Flow	Middle Flow	High Flow
	(SIE-4E)	(SIE-4S)	(SIE-4P)
Shape of socket			
Color	Light Gray	Dark Gray	Black

## Dimensions

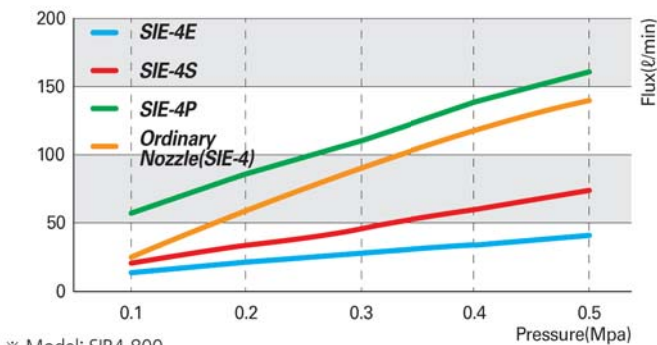


## Applicable Models

▶ SIB4 / SIB4A / SIB7 / SIB7A

## Performance

▶ Comparison of air consumption level per each Nozzle



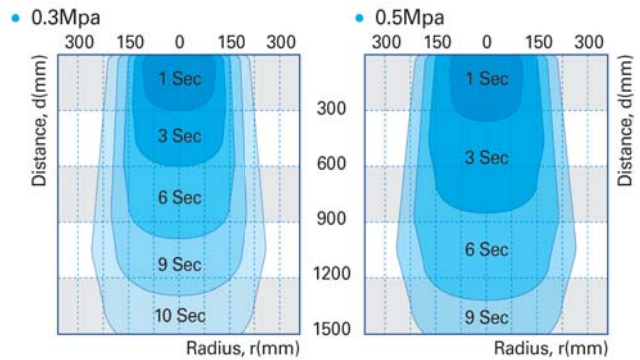
※ Model: SIB4-800

## Decay Time Characteristics

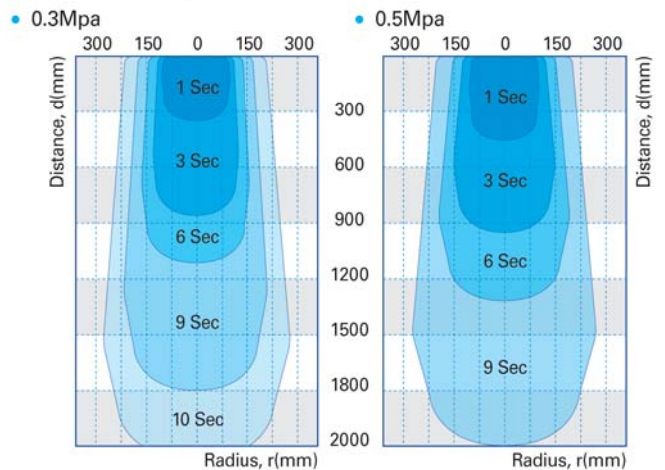
### ▶ Test Conditions

- Model : SIB4-800
- Decay Time : ±1,000V to ±100V
- Down Flow : No Down Flow
- Air Pressure : 0.3Mpa / 0.5Mpa

### ▶ Low Flow (SIE-4E)



### ▶ Middle Flow (SIE-4S)



### ▶ High Flow (SIE-4P)

