



It is recommended that only persons who have sufficient knowledge and experience such as system designers and responsible persons deal with this product after carefully reading the product manual.

1 The matters of safety

⚠ WARNING

- * If the equipment is used in a manner not specified by the manufacturer, the protection provided by the equipment may be impaired.
- * Do not let the water touch the product. It may cause electric shock or fire due to malfunction.
- * When you check or maintain the product, make it sure you turn off the power. It may cause electric shock or fire due to malfunction.
- * The item should be fixed to the target tightly. Electric discharging or breakage might happen.
- * Do not use the product at the place where dangerous material such as inflammable or ignitable material exists. This product is not the product of anti-explosive type.
- * This device is made only for industrial uses. You need to ground the device beforehand. Otherwise, there are in case of malfunction, electric shock, or fire damage.

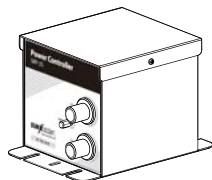
⚠ CAUTION

- * Do not disconnect the controller cable with power applied. There is a possibility of electric shock or malfunction.
- * Connect wires referring to the product manual. Wrong connection can cause failures.
- * For your proper cable connection, take a look at the manual "Installation & Connection" for references. Any disordered connection is detected, the malfunction might arise.
- * All cables should be connected all the time. Please careful of cable disconnections. If power or communication cables got damaged, replace them immediately. Malfunction and fire danger may happen.
- * Do not install the device where the vibration can be detected. Any minor impact or vibration on the device, the malfunction or danger of accident might happen.
- * Do not use the item off the range of usage(Electrostatic elimination).
- * Malfunction or danger of accident may occur.

2 Check the package contents

▶ Product compositions

The package includes the following products composition.



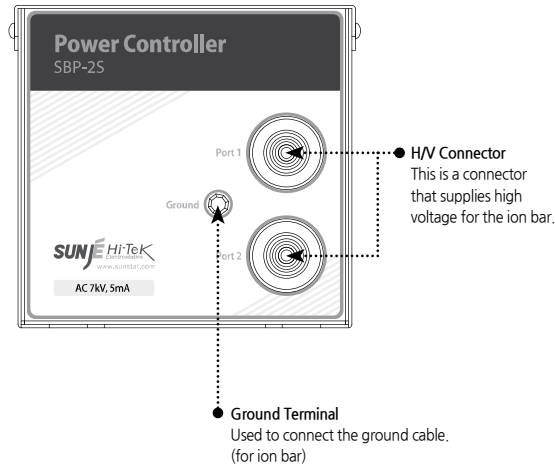
Power Controller
SBP-2S
1ea



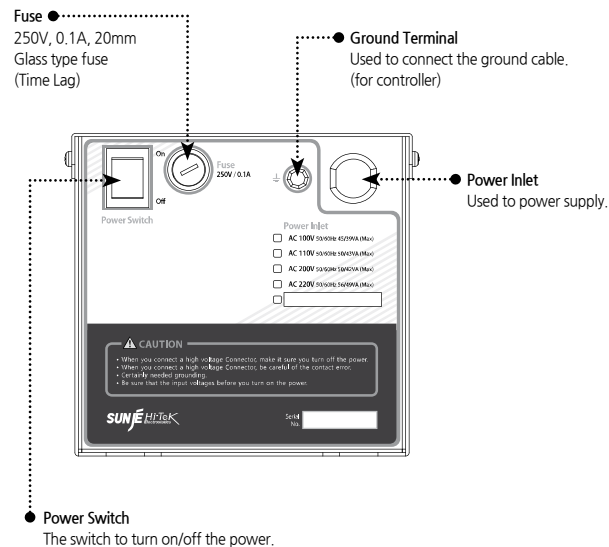
- * Ground Cable
(For SKP-101 / 102)
SGC-MT-2-001
04 - 04 / 1m / 1ea

3 Nomenclatures of parts

Front



Rear

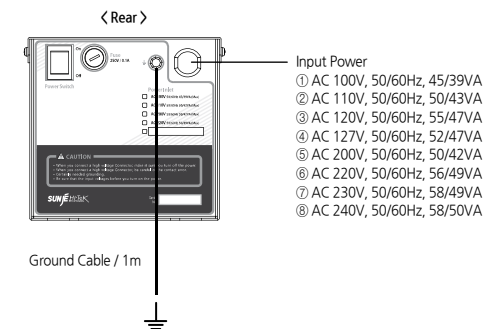
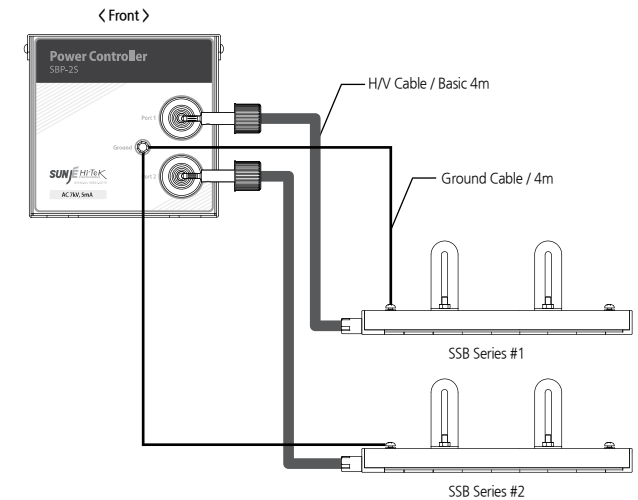


4 Installation and connection

⚠ CAUTION

- * During installation, please try to avoid the area where the product might get (electrical) stress. There might be chances for cable breakage, electric shock, or fire explosion.
- * After checking product, you should verify which power supply specification. A proper supply power use is required. If connect the power improperly, then might cause fire or electric shock.
- * Please be sure to use a ground cable for safety purposes.
- * The discharge needle is very sharp at the edge. Do not physically (directly) touch the discharge needle.

▶ How to connect the ion bar

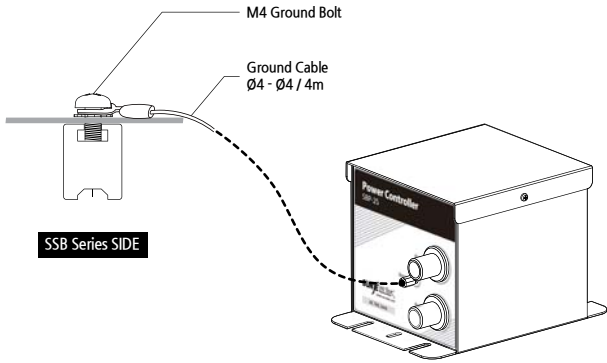


※ SBP-2S is a Power Controller for SSB Series.

► Ground connection

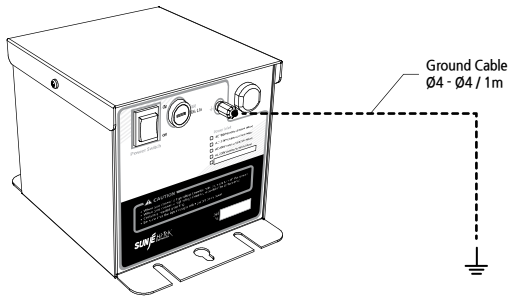
Function Connection

Connect a power controller socket in the front to M4 mount bolt (SSB Series Ion Bar) with the ground connecting wire.
But, when the metallic object is grounded, it is not necessary to "Ground" connect the object.



Safe Connection

When you can not find power supply connection, you can use the ground terminal which is located at the back of the controller.

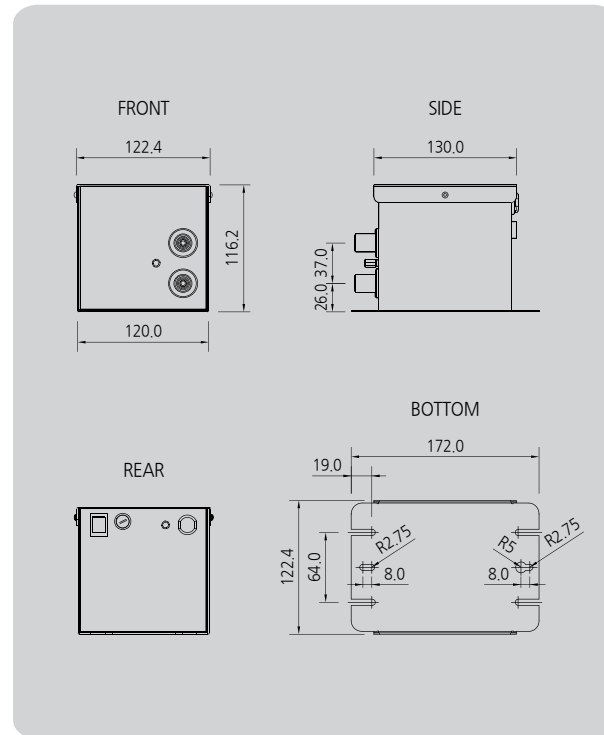


5 Problem solving

► Checklist before called

Symptom	Confirmation Matter	Matters of Management
The product does not work.	Is your power cable still plugged in?	Please re-plug the power cable and then turn the device on again.
	Was the proper voltage level applied for this set-up?	Please refer to 'Installation & Connection' for (proper) applying the voltage level.
	Is the switch off at back of the device?	Turn on the power switch.
	Is a fuse broken?	Replace the proper fuse immediately. (250V, 0.1A, 20mm, Time Lag)
There is no ionization.	Does the installed environment have too high/low level of humidity or temperature?	Please install the device upon the proper working specification.
The ionizing performance has been decreased.	Can't possibly ground the device?	Please refer to 'Installation & Connection' for (proper) grounding the device.
	Any damages or cut on the cables?	You need to replace the cables if it gets cut or damaged.

6 Dimensions



7 Specification

Parameter	Description / Value								Remarks	
Input Power	AC 100/110/120/127/200/220/230/240V, 50/ 60Hz									
Power Consumptions	Voltage	100	110	120	127	200	220	230	240	
	50Hz	45VA	45VA	45VA	45VA	45VA	45VA	45VA	45VA	
	60Hz	39VA	39VA	39VA	39VA	39VA	39VA	39VA	39VA	
Output Port	2 Ports									
Output Voltage	AC 7kV ±7% (Max.)									
Operation Circumstance	0°C ~ +50°C(32 F ~ 122 F), 35% ~ 85% RH									
Weight	3.2kg									
Cover Material	EG(Electrolytic Galvanized Iron)									
Mounting Method	Desktop or Wall Mount									
Warranty	1 Year									

※ The appearance and specification of the product may be changed without prior notice for the improvement of the product.

SUNJE Electrostatics www.sunstat.com

- Head Office & Factory (Busan)**
8, Cheongwang-gil, Ilgwang-Myeon, Gijang-Gun, Busan, Korea
T) +82-51-720-7500 F) +82-51-720-7501
- Sunje Japan Co., Ltd.**
3-11-16-321 Higashimikuni, Yodogawa-ku, Osaka, Japan
T) +81-6-4866-5202 F) +81-6-6399-9290
- Central Sales Office (Hwaseong)**
3F, Ilshin B/D, 4, Namnyeoul 2-gil, Hwaseong-si, Gyeonggi-do, Korea
T) +82-31-203-9034 F) +82-31-202-9034
- Sunje (SHANGHAI) Trading Co., Ltd.**
Room 312, Jiurun Business Building 3rd Floor, No. 298, Yindu Road, Xuhui District, Shanghai, China 200000
T) +86-21-5433-9761 F) +86-21-5433-9762
- Southern Sales Office (Chilgok)**
35-2, Seojungni 3-gil, Seokjeok-eup, Chilgok-gun, Gyeongsangbuk-do, Korea
T) +82-54-476-9033 F) +82-54-476-9034
- Sunje Technology Co., Ltd.**
2F, No.6, Lane.102, Sinhe Rd, Sinfong Township, Hsinchu County, Taiwan 30472
T) +886-3-568-7891 F) +886-3-568-7950
- Customer Center** +82-70-7714-9033
- Sales Contact** +82-31-203-9034