



It is recommended that only persons who have sufficient knowledge and experience such as system designers and responsible persons deal with this product after carefully reading the product manual.

1 The matters of safety

⚠ WARNING

- * If the equipment is used in a manner not specified by the manufacturer, the protection provided by the equipment may be impaired.
- * Do not let the water touch the product. It may cause electric shock or fire due to malfunction.
- * When you check or maintain the product, make it sure you turn off the power. It may cause electric shock or fire due to malfunction.
- * The item should be fixed to the target tightly. Electric discharging or breakage might happen.
- * Do not use the product at the place where dangerous material such as inflammable or ignitable material exists. This product is not the product of anti-explosive type.
- * This device is made only for industrial uses. You need to ground the device beforehand. Otherwise, there are in case of malfunction, electric shock, or fire damage.

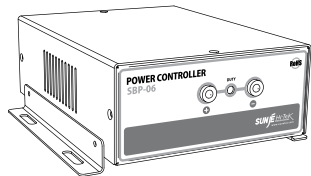
⚠ CAUTION

- * Do not disconnect the controller cable with power applied. There is a possibility of electric shock or malfunction.
- * Connect wires referring to the product manual. Wrong connection can cause failures.
- * For your proper cable connection, take a look at the manual 'Installation & Connection', for references. Any disordered connection is detected, the malfunction might arise.
- * All cables should be connected all the time. Please careful of cable disconnections. If power or communication cables got damaged, replace them immediately. Malfunction and fire danger may happen.
- * Do not install the device where the vibration can be detected. Any minor impact or vibration on the device, the malfunction or danger of accident might happen.
- * Do not use the item off the range of usage (Electrostatic elimination). Malfunction or danger of accident may occur.

2 Check the package contents

▶ Product compositions

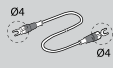
The package includes the followivducts composition.



Power Controller
SBP-06(1P or 2P)
1ea



* Power Cable
SPC-MT-1-001
AC 100V, 50/60Hz, 1.8m / 1ea



* Ground Cable
SGC-MT-2-001
Ø4 - Ø4 / 1m / 1ea



* Power Cable
SPC-MT-2-001
AC 220V, 50/60Hz, 1.8m / 1ea

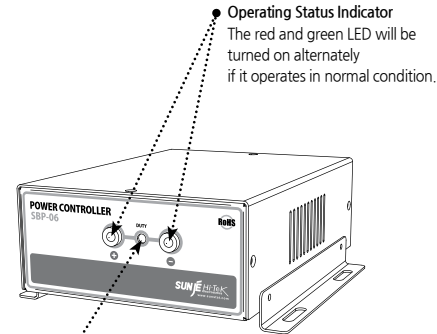
▶ Option

If you require extra functions with the basic accessories we provided, you need to purchase optional items in below for further assistant.



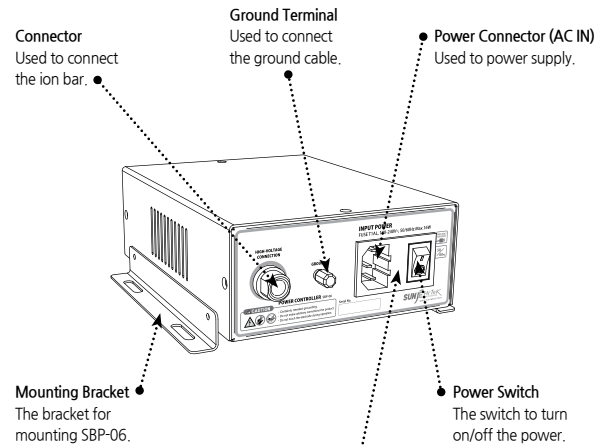
3 Nomenclatures of parts

Front



※ Duty Rate
+/- ion creation time ratio
on the discharging needle.

Rear



Fuse Socket
There's a fuse in the socket. Please check the proper product requirement when replacing. (250V/1A)

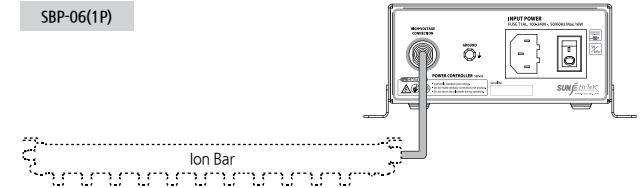
4 Installation and connection

⚠ CAUTION

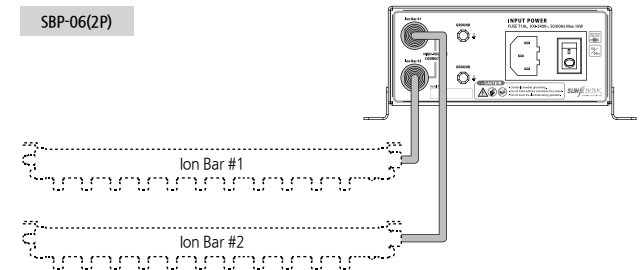
- * During installation, please try to avoid the area where the product might get (electrical) stress.
- * There might be chances for cable breakage, electric shock, or fire explosion.
- * After checking product, you should verify which power supply specification. A proper supply power use is required. If connect the power improperly, then might cause fire or electric shock.
- * Please be sure to use a ground cable for safety purposes.
- * The discharge needle is very sharp at the edge. Do not physically (directly) touch the discharge needle.

▶ How to connect the ion bar

SBP-06(1P)



SBP-06(2P)



Connectable Ion Bar

Power controller SBP-06 can be connected to the ion bars as below.



* Ion Bar
SIB1 Series



* Ion Bar
SIB2 Series



* Ion Bar
SSB1 Series

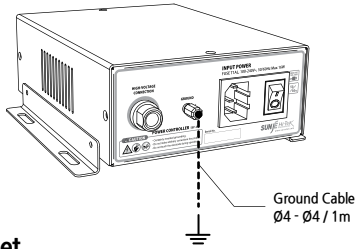
⚠ CAUTION

- * Don't try to connect with the ion bar that is not properly specified to install. It will be causes of malfunction or operation disorder.

► Ground connection

Safe Connection

When you can not find power supply connection, you can use the ground terminal which is located at the back of the controller.



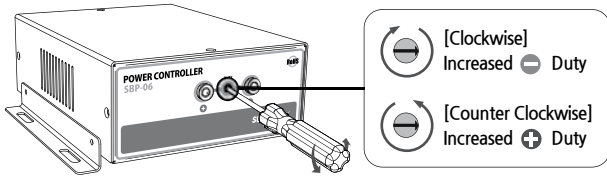
5 How to set

WARNING * Do not tamper with the set value. The malfunction might arise.

► Duty settings

If you set duty controller by the left and right, then +/- ion creation amount will be adjustment.

< Duty Controller >



► Frequency settings

Frequency is adjusted to an optimal conditions before shipped.

* SBP-06 controller has no alarm feature.

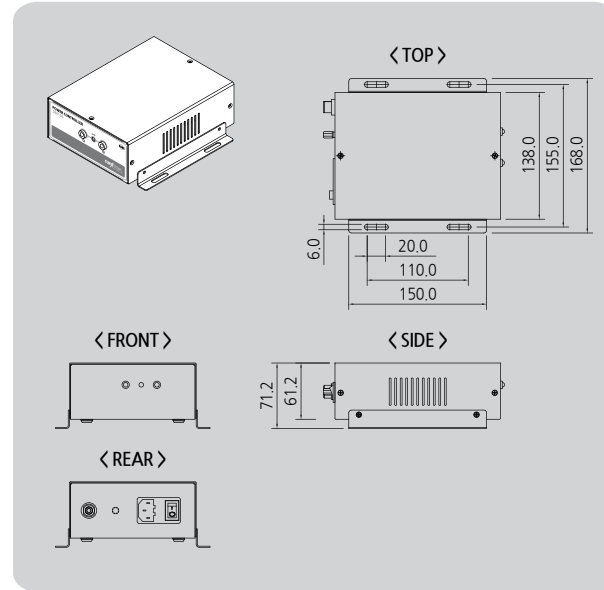
6 Problem solving

► Checklist before called

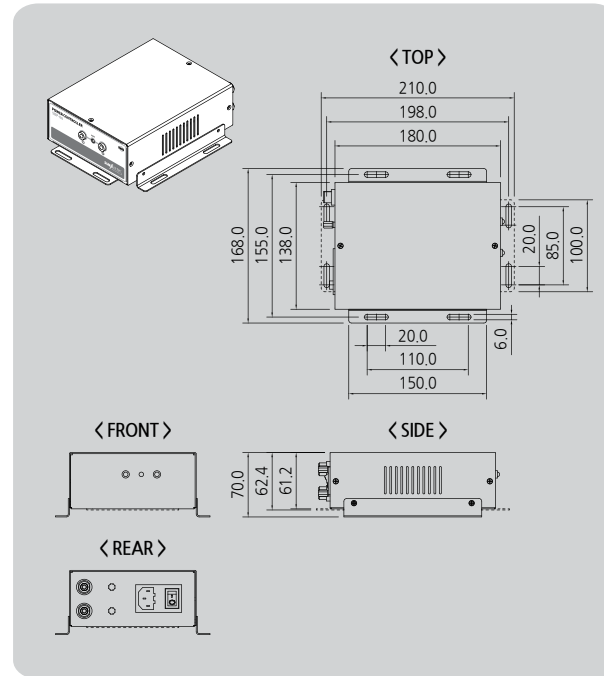
Symptom	Confirmation Matter	Matters of Management
The product does not work.	Is your power cable still plugged in?	Please re-plug the power cable and then turn the device on again.
	Was the proper voltage level applied for this set-up?	Please use the proper level of power input for the device. (AC 100~240V, 50/60Hz)
	Is the switch off at back of the device?	Turn on the power switch.
	Is a fuse broken?	Replace the proper fuse immediately. (250V, 1A)
There is no ionization.	Does the installed environment have too high/low level of humidity or temperature?	Please install the device upon the proper working specification.
The ionizing performance has been decreased.	Can't possibly ground the device?	Please refer to 'Installation & Connection' for (proper) grounding the device.
	Any damages or cut on the cables?	You need to replace the cables if it gets cut or damaged.

7 Dimensions

► SBP-06(1P)



► SBP-06(2P)



8 Specification

Parameter	Description / Value	Remarks
Input Power	AC 100~240V, 50/60Hz	
Output Voltage	Pulse AC 12 kVp-p(Max.)	
Power Consumption	16W	
Current Consumption	72mA	AC 220V
Weight	1.42kg	
Main Body Material	EGI	
Output Port	1 Port(1P), 2 Ports(2P)	H/V Connector
Operation Circumstance	0°C ~ +50°C(32 F ~ 122 F), 35% ~ 85% RH	
Dimensions	Please refer to dimension drawing	
Warranty	1 year	

* The appearance and specification of the product may be changed without prior notice for the improvement of the product.

SUNJE Electrostatics www.sunstat.com

- Head Office & Factory (Busan)**
8, Cheonggwang-gil, Ilgwang-Myeon, Gijang-Gun, Busan, Korea
T) +82-51-720-7500 F) +82-51-720-7501
- Sunje Japan Co., Ltd.**
3-11-16-321 Higashimikuni, Yodogawa-ku, Osaka, Japan
T) +81-6-4866-5202 F) +81-6-6399-9290
- Central Sales Office (Hwaseong)**
3F, Ilshin B/D, 4, Namnyeoul 2-gil, Hwaseong-si, Gyeonggi-do, Korea
T) +82-31-203-9034 F) +82-31-202-9034
- Sunje (SHANGHAI) Trading Co., Ltd.**
Room 312, Jiurun Business Building 3rd Floor, No. 298, Yindu Road, Xuhui District, Shanghai, China 200000
T) +86-21-5433-9761 F) +86-21-5433-9762
- Southern Sales Office (Chilgok)**
35-2, Seojungni 3-gil, Seokjeok-eup, Chilgok-gun, Gyeongsangbuk-do, Korea
T) +82-54-476-9033 F) +82-54-476-9034
- Sunje Technology Co., Ltd.**
2F, No.6, Lane.102, Sinhe Rd, Sinfong Township, Hsinchu County, Taiwan 30472
T) +886-3-568-7891 F) +886-3-568-7950
- Customer Center** +82-70-7714-9033
- Sales Contact** +82-31-203-9034