

Next-Generation Ionizer

Slim Bar Soft X-ray Ionizer



SXN-05 / 10BT, BL Series

This is bar type ionizer having 2 to 9 X-ray windows so that is effective for **ionizing wide area**. Slim size is useful to be installed in various conditions and **module structure** (Tube replaceable) makes it easy to replace.

Key Features

▶ Next-generation ionizer

- No CDA needed
- No scattering particle problem
- Do not generate particle problem itself
- Possible to ionize on the rear side

▶ Maintenance needed once in every two years

- Based on the maximum lifetime warranty(2years), it need just one time maintenance.
- By replacing a modularized tube, maintenance will be completed

▶ Possible to process management with under 100V constant voltage

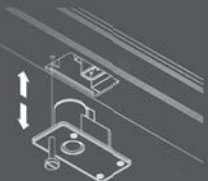
- ±0V Ion Balance
- Process managing with under 100V constant voltage

▶ Slim Size

- The smallest size in the same line of products (possible to ionize on the surface and rear side)

Modularized

Replacing a modularized tube



▶ Product differentiation

- No bending phenomenon in the middle of the product
- Do not generate particle problem with no cleft phenomenon caused by vibration
- No performance degradation caused by inside corrosion

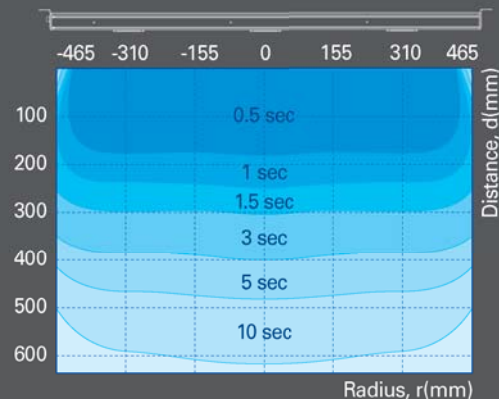
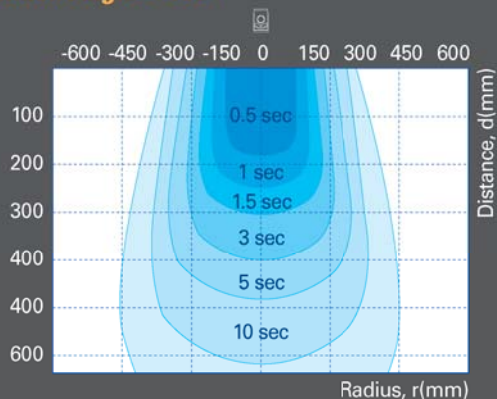
Specifications

Parameter		Description / Value
Ion Generation Method		Soft X-ray
Source		Soft X-ray Tube
Beam Angle		150°
Input Power		AC100~240V, 50/60Hz
Power Consumption (with Bar)		Max. 130W
Operation Circumstance		0°C ~ +50°C(32°F ~ 122°F), 35% ~ 85% RH
Dimensions		Please Refer to Dimension Drawing
Alarm Function		H/V Abnormal, Communication error
Interface		(Run, Alarm, Power, Over Time, Remote, Interlock) Remote On/Off, Interlock On/Off, Output State
Controller Fuse		250V, 2A, 5X20 Glass Type Fuse
Weight	Controller (SXC-10BT/BL)	1.05kg
	SXB-05 Series	1 year
Warranty	SXB-10 Series	1 year
	Controller (SXC-10BT/BL)	1 year

Performance

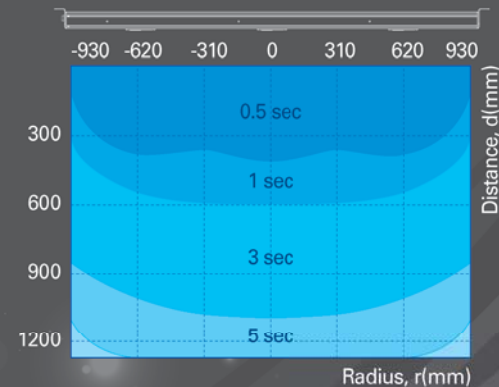
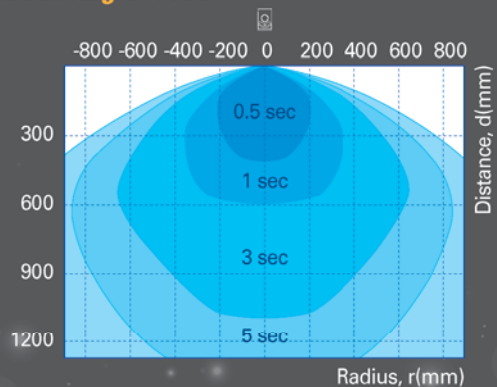
► SXB-05 Series

Radiation Angle ≙ 150°

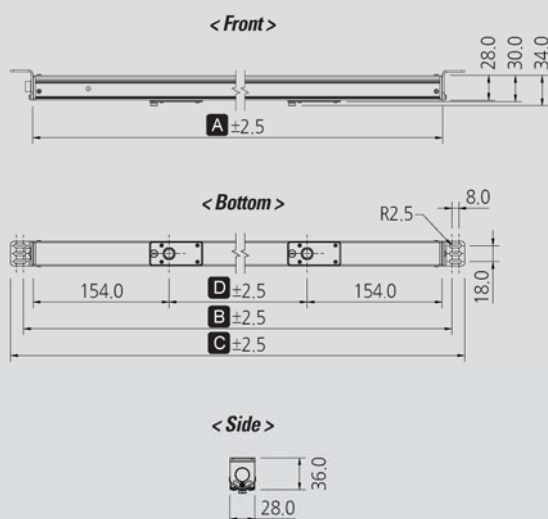


► SXB-10 Series

Radiation Angle ≙ 150°



Dimensions



MODEL	No.	MODEL No.	A	B	C	D	TUBE QTY	Weight
SXB-05 Series	1	SXB-05-600-2	619	640	669	311	2	0.65kg
	2	SXB-05-900-3	930	951	980		3	0.95kg
	3	SXB-05-1200-4	1241	1262	1291		4	1.25kg
	4	SXB-05-1500-5	1552	1573	1602		5	1.55kg
	5	SXB-05-1800-6	1863	1884	1913		6	1.85kg
	6	SXB-05-2200-7	2174	2195	2224		7	2.15kg
	7	SXB-05-2500-8	2485	2506	2535		8	2.45kg
	8	SXB-05-2800-9	2796	2817	2846		9	2.75kg
SXB-10 Series	1	SXB-10-900-2	930	951	980	622	2	0.80kg
	2	SXB-10-1500-3	1552	1573	1602		3	1.20kg
	3	SXB-10-2200-4	2174	2195	2224		4	1.65kg
	4	SXB-10-2800-5	2796	2817	2846		5	2.05kg
	5	SXB-10-3400-6	3418	3439	3468		6	2.45kg

※ What is Soft X-Ray Ionizer?

Soft X-Ray Ionizer is a next generation model compare to other ionizers by using corona discharge. It doesn't generate particles, electromagnetic waves and ozone and also doesn't need compressed air and any maintenance.