

All about electrostatics, our know-how is yours!

NEW
ARRIVAL

The Next Generation

New Soft X-ray Ionizer



SXN-15N

Suitable Ionizer for super clean process as there is no dust, electromagnetic wave, ozone. With 15kV application, it is effective for wide area and long distance. With wide LED, You can recognize operating status at various angles.

Key Features

- With wide LED, You can recognize operating status at various angles
- Serial Number of the Head is displayed on controller
- Identify 1-4 head location from controller
(When you select the Head on the controller, selected Head LED blinks for 6 sec)
- When the communication status between Head and controller is not normal, it stops automatically
- Individual control for 4 heads to turn on/off using RS-485 communication protocol
- 3 different communication speeds setting available besides basic value (9600bps) (9600, 19200, 38400, 56000 bps)

Specifications

Parameter	Description / Value	
Ion Generation Method	Soft X-ray	
Dimensions	Please Refer to Dimension Drawing	
Source	Soft X-ray Tube	
Beam Angle	150°	
Input Power	AC100~240V, 50/60Hz	
Power Consumption (with Head)	Max. 90W	
Controller Fuse	250V, 3A, 5X20 Glass Type Fuse	
Operation Circumstance	0°C ~ +50°C(32°F ~ 122°F), 35% ~ 85% RH	
Weight	Head	0.31kg (SXH-15N)
	Controller	0.65kg (SXC-154N)
Alarm Function	Head Fail, Head Communication Error	
Interface	(Run, Alarm, Power, Over Time, Remote, Interlock) Remote On/Off, Interlock On/Off, Output State	
Warranty	1 year	

※ The appearance and specification of the product may be changed without prior notice for the improvement of the product.

Operating status by LED color



< Operating >

● Blue : Run



< Head replacement >

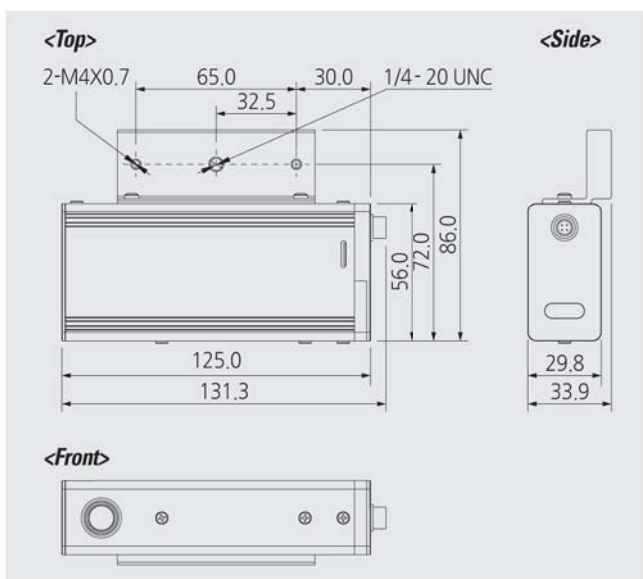
● Yellow : Overtime



< Malfunction >

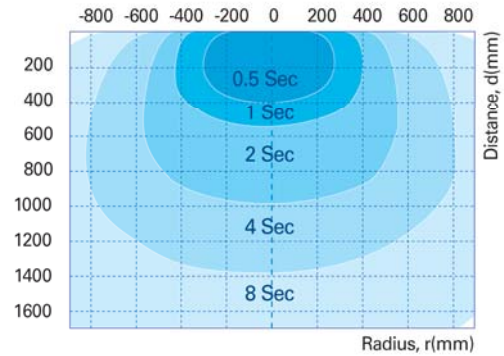
● Red : Alarm

Dimensions



Performance

- Radiation Angle ≒ 150°
- ▶ Model : SXN-15N



Applications

