

All about electrostatics, our know-how is yours!

★ ★ ★  
**NEW**  
ARRIVAL  
★

# The Next Generation

## New Soft X-ray Ionizer



### **SXN-05 / 10N**

Suitable Ionizer for super clean process as there is no dust, electromagnetic wave, ozone. With wide LED, You can recognize operating status at various angles, You can identify Head location and Serial number through Controller. Compared to previous model, this improved convenience for various users.

### **Key Features**

- With wide LED, You can recognize operating status at various angles
- Serial Number of the Head is displayed on controller
- Identify 1-4 head location from controller  
(When you select the Head on the controller, selected HeadLED blinks for 6 sec)
- When the communication status between Head and controller is not normal, it stops automatically.
- Individual control for 4 heads to turn on/off using RS-485 communication protocol
- 3 different communication speeds setting available besides basic value [9600bps] (9600, 19200, 38400, 56000 bps)

**SUNJE** We are always doing the best  
to satisfy customer needs!

**Soft X-Ray Ionizer**

8, Cheonggwang-gil, Ilgwang-myeon, Gijang-gun, Busan, Korea  
E-mail : info@sunstat.com / lbj1239@sunstat.com Tel : 051) 720-7500

## Specifications

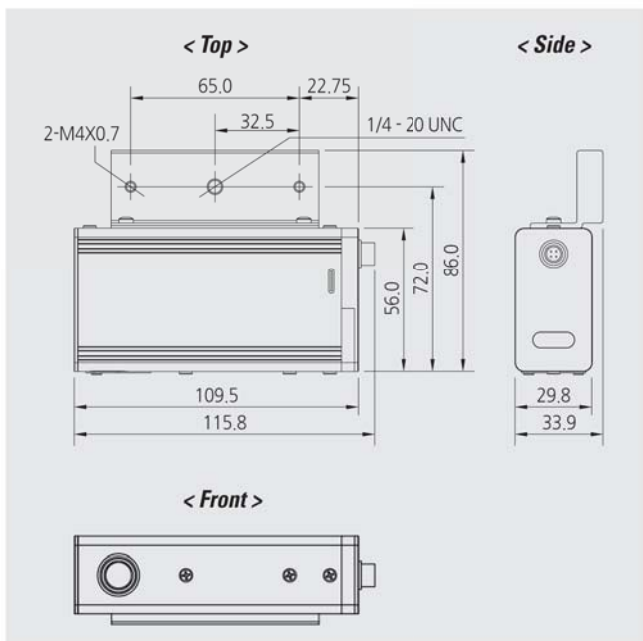
Parameter	Description / Value	
Ion Generation Method	Soft X-ray	
Source	Soft X-ray Tube	
Beam Angle	150°	
Input Power	AC 100~240V, 50/60Hz	
Power Consumption (with Head)	Max. 50W	
Controller Fuse	250V, 3A, 5X20 Glass Type Fuse	
Operation Circumstance	0°C ~ +50°C (32°F ~ 122°F), 35% ~ 85% RH	
Weight	Head (SXH-05/10N)	0.27kg
	Controller (SXC-104N)	0.62kg
Dimensions	Please Refer to Dimension Drawing	
Alarm Function	Head Fail, Head Communication Error	
Interface	(Run, Alarm, Power, Over Time, Remote, Interlock) Remote On/Off, Interlock On/Off, Output State	
Warranty	1 year	

※ The appearance and specification of the product may be changed without prior notice for the improvement of the product.

## LED Color

Color	Feather
Blue	Run < Operating >
Yellow	Overtime < Head replacement >
Red	Alarm < Malfunction >

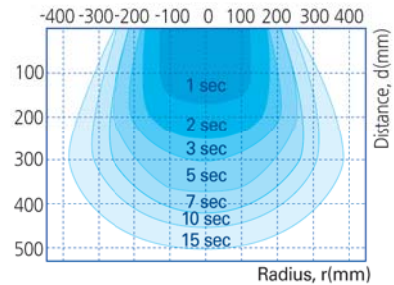
## Dimensions



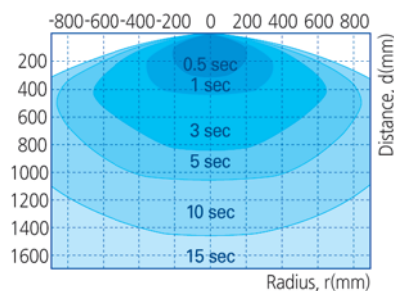
## Performance

- Radiation Angle ≒ 150°

▶ Model : SXN-05N



▶ Model : SXN-10N



## Applications

