

SIB7-360

SIB7-360 is the Controller all-in-one type mini size ion bar that has obtained UL certification. Corona discharge loss is minimized through various specification and digital control system and this product provides high performance, low ion balance. Also, wide range of ionization is possible through optimum ion generating design.

Key Features

- UL certified product (starting sales in January 2024)
- All-in-one type mini size ion bar. (eg. controller internally installed)
- Maximized the ion creation via reducing loss of corona discharging
- Power jumping function among ion bars (Max. 4 ion bar links)
- One-touch in/out socket application
- Design for minimum air consumption (Newly designed socket minimized the air consumption but maximized the air pressure)



※ What is a UL certified product?

This product has been certified by UL, an official American certification organization. UL is the highest-ranking U.S. certification organization that develops and awards certification for variety of standards for product performance and safety.

Specifications

Parameter	Description / Value	
Input Power	DC 24V (±5%)	
Power Consumption	Max. 8W	
Current Consumption	Max. 0.33A (DC 24V)	
Ion-Generation Method	Corona Discharge Pulse AC	
Air Purge Supply Pressure	0.1 ~ 0.5MPa (CDA[Clean Dry Air], N2)	
Air Purge Connection Port	Pipe Thread 1/8"	
Ion Balance	Within ±30V (1,000mm)	
Ozone(O3) Concentration	≤0.05ppm	
Main Body Material	Non-Flammable ABS (Level V0)	
Electrode Material	Standard : Tungsten / Option : Silicon or Titanium	
Electrode Replacement	Cartridge type	
Operation Circumstance	0℃ ~ +50℃(32℉ ~ 122℉), 35% ~ 85% RH	
Mounting Method	Bolt Mounting with Bracket	
Adjust Function	Frequency [Hz]	0.1, 0.3, 1, 3, 5, 8, 10, 20, 30, 50
	Duty Ratio [%]	40 ~ 70
	Voltage [Level]	Level 1 ~ 10
Alarm Function	High Voltage Abnormal Alarm	
Operating Distance	50 ~ 2,000mm	
Interface	Input : Remote / Output : Run State, Alarm State	
Overvoltage Category	II	
Indoor or Outdoor use	Indoor use only	
Altitude	Less than 2,000 m	
Pollution degree of the intended environment	Pollutions degree Level 2	
Option	SBP-RD (DC Power Supply)	
Warranty	1 year	

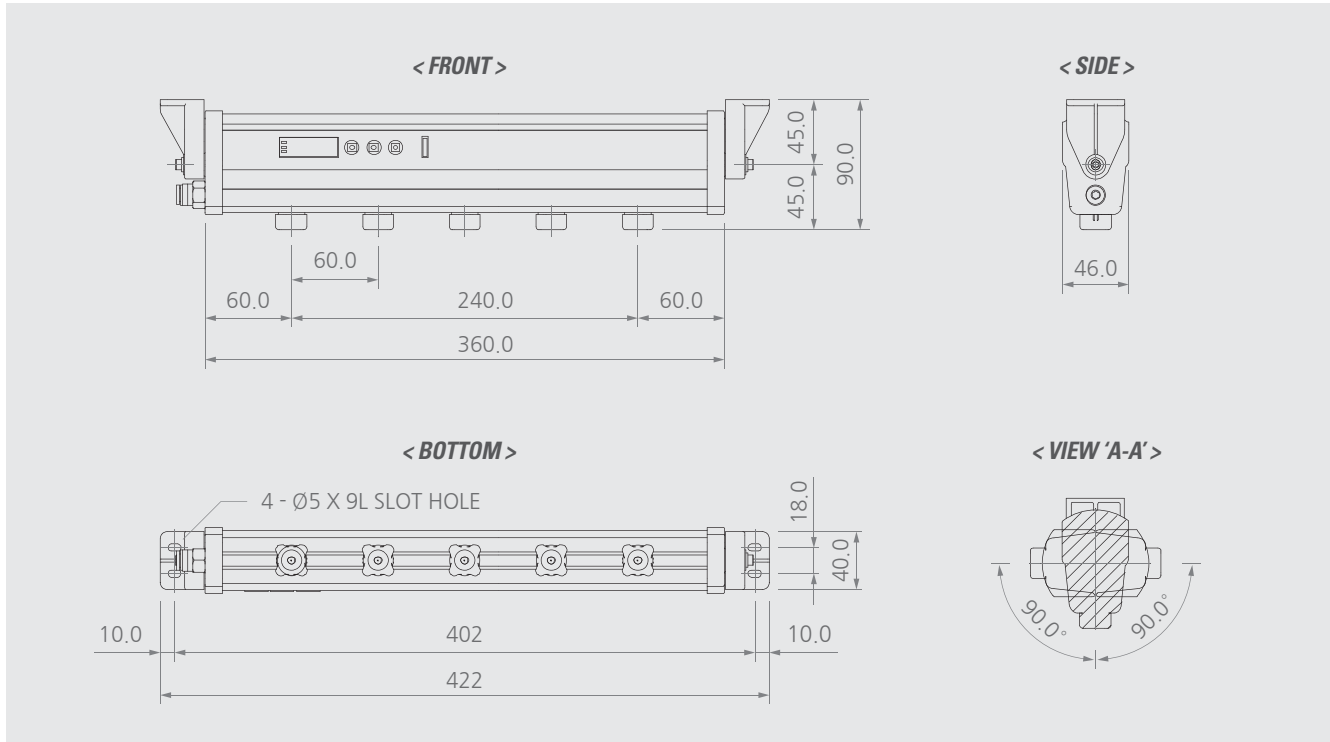
※ Product model number will be differ as the discharge needle specifications, ex) Tungsten : SIB7-360 / Silicon : SIB7-360-SI / Titanium : SIB7-360-TI

※ The appearance and specification of the product may be changed without prior notice for the improvement of the product.

Ion Bar

Electrostatic Total Solution

Dimensions



Decay Time Characteristics

- Model : SIB7-360
- Socket : SIE-4
- Output Voltage : A10.5kVp-p
- Air Pressure : 0.3MPa
- Decay Time : ±1,000V to ±100V
- Temperature & Humidity : 24°C±1°C, 44%±2% RH
- Charge Plate Capacitance : 20pF (150 X 150 mm)
- Frequency : 30Hz

