

All about electrostatics, our know-how is yours!

The Next Generation

ION BAR



SKBN Series

Capacitive coupling type that is shockless and waterproof.

You can use with air knife without any problem.

With slim structure and varied length, it can be installed in all working space.



Key Features

- Applicable in high humid circumstance
- Small / Slim body → Easy to install in a narrow space
- Capacity coupling protects electric shock (shockless type)
- Stop function if abnormal high voltage occurs
- You can adjust input voltage depending on the installation environment (When connecting SBP-07A2)

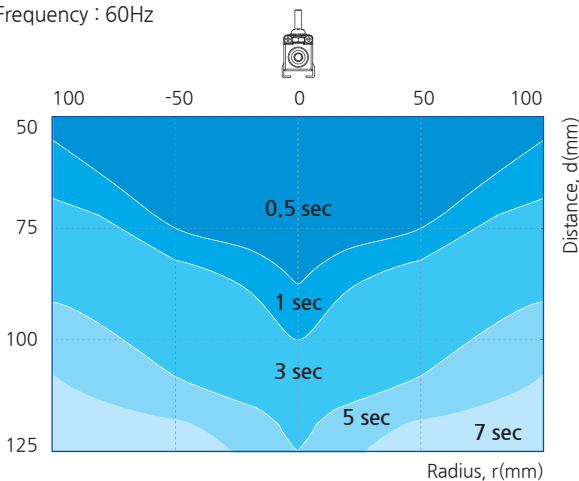
Specifications

Parameter	Description / Value	
Compliant Standards	Technical Recommendations of the Research Institute of Industrial Safety	
Rated Voltage	AC 7kV ±7% (Max.) / 50~60Hz	
Structure	Capacitive-Coupled (Shockless Type)	
Ozone(O3) Concentration	≤0.05ppm	
Operation Circumstance	0℃ ~ +50℃(32°F ~ 122°F), 35% ~ 85% RH	
Material	Main Body	PBT (Polybutylene Terephthalate), PA66 / Level V0
	Cover	Aluminum
	Electrode	Stainless Steel
	Cable Insulator	PVC (Polyvinyl Chloride)
	Flexible Tube	PA (Polyamide) / Level V0
Operating Distance	10 ~ 250mm (Non air Pressure)	
Mounting Method	Ceiling & Wall Mount	
Weight	About 0.6kg/m (Without H/V Cable)	
Tip Cleaning Cycle	1 week (Electrode Cleaning)	
Warranty	1 year	

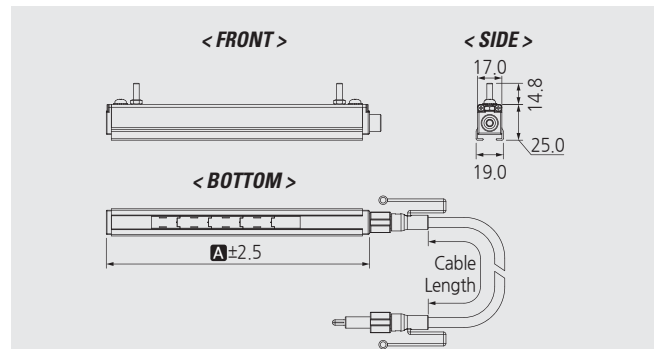
※ The appearance and specification of the product may be changed without prior notice for the improvement of the product.

Decay Time Characteristics

- Model : SKB-700N / SKP-101
- Socket : None (Corona Tip : SUS 304)
- Output Voltage : AC 5kV ~ 7kV ±7% (Max.)
- Air Pressure : None Air Pressure
- Decay Time : ±1,000V to ±100V
- Temperature & Humidity : 24℃ ± 1℃, 40% ± 2%RH
- Charge Plate Capacitance : 20pF ± 2pF (150 X 150mm)
- Frequency : 60Hz



Dimensions

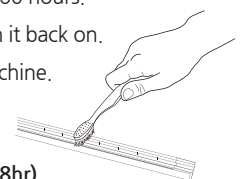


MODEL / DIMENSION				
No.	MODEL No.	TIP QTY	A	MOUNT BOLT QTY
1	SKBN-120	1	118	2
2	SKBN-300	9	294	2
3	SKBN-500	18	492	2
4	SKBN-700	27	690	2
5	SKBN-900	37	910	2
6	SKBN-1100	46	1108	3
7	SKBN-1300	55	1306	3
8	SKBN-1500	64	1504	3
9	SKBN-1700	73	1702	3
10	SKBN-1900	82	1900	3
11	SKBN-2100	91	2098	4
12	SKBN-2300	100	2296	4
13	SKBN-2500	109	2494	4
14	SKBN-2700	118	2692	4
15	SKBN-2800	123	2802	6
16	SKBN-2900	128	2912	6
17	SKBN-3000	132	3000	6
18	SKBN-3100	137	3110	6
19	SKBN-3200	141	3198	6
20	SKBN-3300	146	3308	6
21	SKBN-3400	150	3396	6
22	SKBN-3500	155	3506	6
23	SKBN-3600	159	3594	6
24	SKBN-3700	164	3704	6

Maintenance

▶ Discharge needle cleaning

1. Before cleaning the controller, you need to turn off.
2. Use brush(nylon) or air compressor to clean the dirt. (E.g. tooth brush) But, if you are in clean space, use cotton materials to clean.
3. When there are any inks or oily dirt, apply alcohol(Methanol) or IPA in the cotton materials to wipe the dirty surface. But, do not forget to dry the cotton materials(first) before applying it. You need to clean once per every 3 month or after using 2,160 hours.
4. After cleaning the controller, you can turn it back on.
5. Record the date of you cleaned in the machine.



- Brush Cleaning : Weekly(or after using 168hr)
- Alcohol Cleaning : Once per 3 month(or after using 2,160hr)