

All about electrostatics, our know-how is yours!

The Next Generation

ION BAR

SSBN Series

Capacitive-coupled AC operated static bar making shockless to the touch in the event of accidental contact. This product has a wide range of applications by the slim structure and the many length specifications on various work environments.



Key Features

- Capacity coupling protects electric shock (shockless type)
- Small / Slim body → Easy to install in a narrow space
- Stop function if abnormal high voltage occurs
- You can adjust input voltage depending on the installation environment (When connecting SBP-07A2)

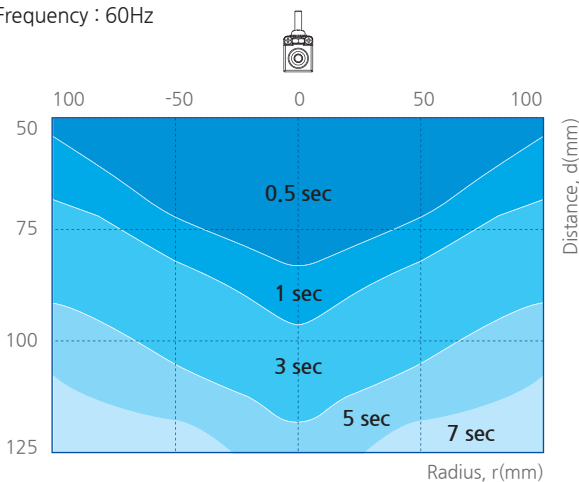
Specifications

| Parameter | Description / Value | |
|-------------------------|--|---|
| Compliant Standards | Technical Recommendations of the Research Institute of Industrial Safety | |
| Rated Voltage | AC 7kV $\pm 7\%$ (Max.) / 50~60Hz | |
| Structure | Capacitive-Coupled (Shockless Type) | |
| Ozone(O3) Concentration | ≤ 0.05 ppm | |
| Operation Circumstance | 0°C ~ +50°C(32°F ~ 122°F), 35% ~ 85% RH | |
| Material | Main Body | PBT (Polybutylene Terephthalate), PA66 / Level V0 |
| | Cover | Aluminum |
| | Electrode | Stainless Steel |
| | Cable Insulator | PVC (Polyvinyl Chloride) |
| | Flexible Tube | PA (Polyamide) / Level V0 |
| Operating Distance | 20 ~ 250mm (Non air Pressure) | |
| Mounting Method | Ceiling & Wall Mount | |
| Weight | About 0.6kg/m (Without H/V Cable) | |
| Tip Cleaning Cycle | 1 week (Electrode Cleaning) | |
| Warranty | 1 year | |

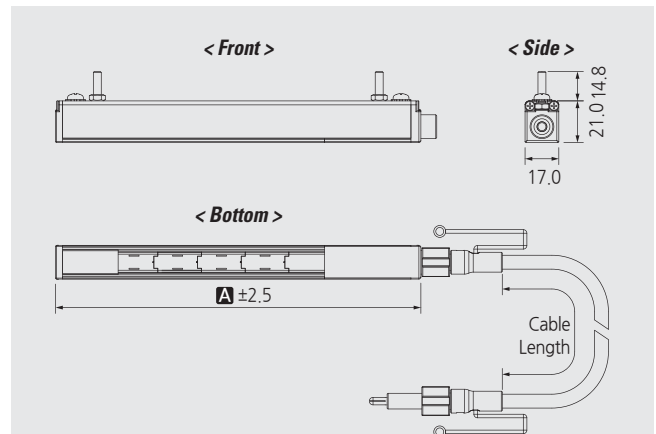
※ The appearance and specification of the product may be changed without prior notice for the improvement of the product.

Decay Time Characteristics

- Model : SSB-700N / SKP-101
- Socket : None (Corona Tip : SUS 304)
- Output Voltage : AC 5kV ~ 7kV $\pm 7\%$ (Max.)
- Air Pressure : None Air Pressure
- Decay Time : $\pm 1,000V$ to $\pm 100V$
- Temperature & Humidity : 24°C $\pm 1^\circ C$, 40% $\pm 2\%$ RH
- Charge Plate Capacitance : 20pF $\pm 2pF$ (150 X 150mm)
- Frequency : 60Hz



Dimensions

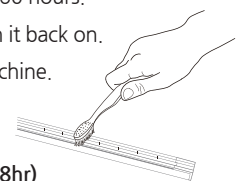


| MODEL / DIMENSION | | | | |
|-------------------|-----------|----------|------|-----------------|
| No. | MODEL No. | TIP Q'TY | A | MOUNT BOLT Q'TY |
| 1 | SSBN-120 | 1 | 118 | 2 |
| 2 | SSBN-300 | 9 | 294 | 2 |
| 3 | SSBN-500 | 18 | 492 | 2 |
| 4 | SSBN-700 | 27 | 690 | 2 |
| 5 | SSBN-900 | 37 | 910 | 2 |
| 6 | SSBN-1100 | 46 | 1108 | 3 |
| 7 | SSBN-1300 | 55 | 1306 | 3 |
| 8 | SSBN-1500 | 64 | 1504 | 3 |
| 9 | SSBN-1700 | 73 | 1702 | 3 |
| 10 | SSBN-1900 | 82 | 1900 | 3 |
| 11 | SSBN-2100 | 91 | 2098 | 4 |
| 12 | SSBN-2300 | 100 | 2296 | 4 |
| 13 | SSBN-2500 | 109 | 2494 | 4 |
| 14 | SSBN-2700 | 118 | 2692 | 4 |

Maintenance

▶ Discharge needle cleaning

1. Before cleaning the controller, you need to turn off.
2. Use brush(nylon) or air compressor to clean the dirt. (E.g. tooth brush) But, if you are in clean space, use cotton materials to clean.
3. When there are any inks or oily dirt, apply alcohol(Methanol) or IPA in the cotton materials to wipe the dirty surface. But, do not forget to dry the cotton materials(first) before applying it. You need to clean once per every 3 month or after using 2,160 hours.
4. After cleaning the controller, you can turn it back on.
5. Record the date of you cleaned in the machine.



- Brush Cleaning : Weekly(or after using 168hr)
- Alcohol Cleaning : Once per 3 month(or after using 2,160hr)