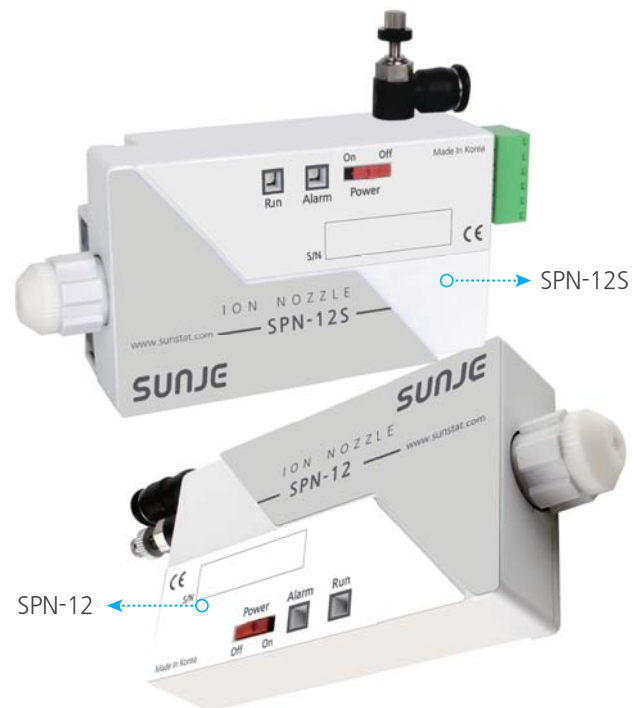


# SPN-12 / 12S

Subminiature Ion Nozzle can reduce contamination of tip by adopting high frequency mode(Piezo:72kHz). Available for various working environment with different fitting tubes(Optional) and angle adjustable bracket and it brings quick ionization in narrow space. Also, contamination caused by air can be prevented by adjusting Air filter.(Option)

## Key Features

- Mini size Ion Nozzle
- Infrared ray sensor Ion Nozzle (SPN-12S)
- Easy to set sensor sensitivity and operation time (SPN-12S)
- Ion balance with in  $\pm 15V$ (300mm / Air 0.3MPa)
- Ozone-proof material selected : Teflon Nozzle
- Tip cleaning cycle is extended by high frequency AC
- Possible to connect up to 5ea of SPN-12/12S by using
- Daisy Chain function (6 pole connector)
- Applying a bracket which can adjust angle Different Fitting tube is available (Option)



## Specifications

Parameter	Description / Value		Remarks
	SPN-12	SPN-12S	
Input Power	DC 24V		
Adaptor	Input	AC 100~240V, 50/60Hz, 1.7A	
	Output	DC 24CV, 1A, 24W	
Power Consumption	1.2W	3.6W	
Current Consumption	50mA	150mA	AC 220V
Ion-Generation Method	High Frequency AC		Piezo
Air Purge Supply Pressure	0.1MPa ~ 0.6MPa		CDA, N2
Air Inlet	Ø6		
Ion Balance	Within $\pm 15V$		300mm
Operation Circumstance	0°C~+130°C(32°F~266°F), 35%~85% RH		
Ozone(O3) Concentration	≤0.05ppm		50mm
Main Body Material	Non-Flammable ABS		
Nozzle Material	Teflon		
Electrode Material	Tungsten		
Mounting Method	Bolt Mounting with Bracket		
Weight	80g	130g	
Sensor	-	Photoelectric Sensor	
Alarm Function	H/V Abnormal		
Interface	Alarm(H/V Abnormal)		
Warranty	1 year		

※ The appearance and specification of the product may be changed without prior notice for the improvement of the product.

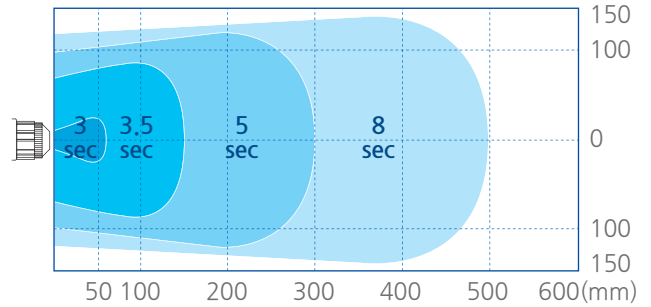
# Ion Nozzle

# Electrostatic Total Solution

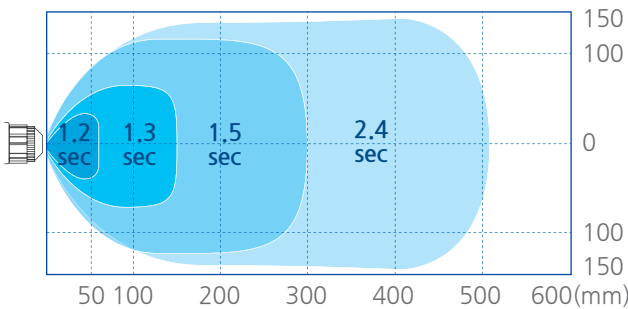
## Decay Time Characteristics

- Model : SPN-12/12S
- Decay Time :  $\pm 1,000V$  to  $\pm 100V$
- Charge Plate Capacitance : 20pF(150 X 150 mm)
- Temperature & Humidity : 24°C, 50%RH

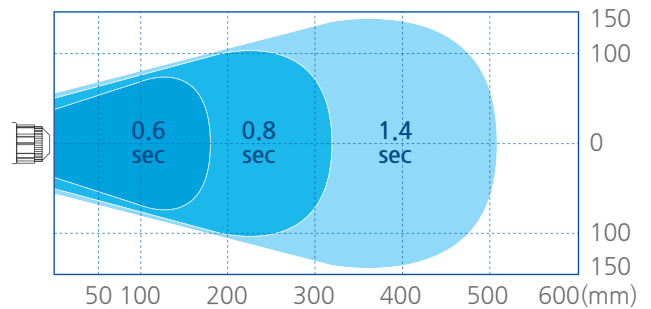
Air Pressure : 0.1MPa Standard Nozzle Mounted



Air Pressure : 0.3MPa Standard Nozzle Mounted

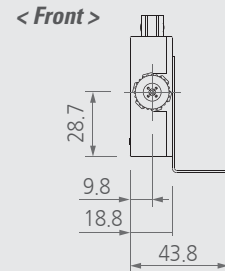
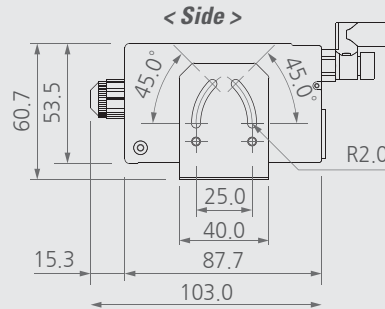
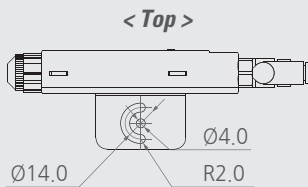


Air Pressure : 0.6MPa Standard Nozzle Mounted

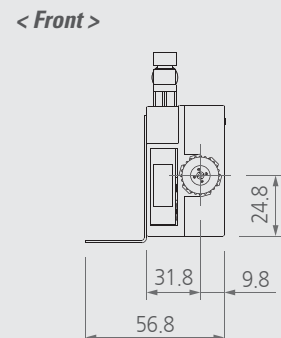
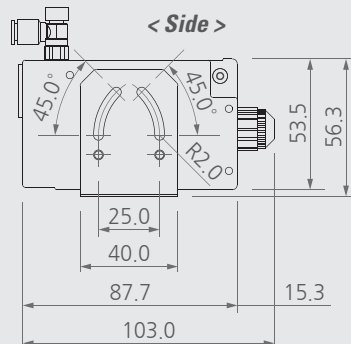
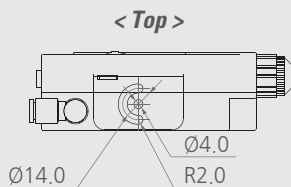


## Dimensions

### < SPN-12 >



### < SPN-12S >



**Photoelectric Sensor (HP7-A43)**

Parameter	Description / Value
Detection System	Diffuse-scan
Scanning Distance	1m
Operation Mode	Light-ON / Dark-ON selectable by button
Emitter	Infrared LED
Ambient Light Immunity	Incandescent Lamp : Max. 10,000 lux / Sunlight : Max. 40,000 lux

**Options (Fitting Tube)**

This is an optional item for SPN-12/12S for special area to increase the convenience of operation.  
We can customize any size upon your request.

▶ *U Type Injector (UI)*▶ *Direct Injector-90° (DI-90)*▶ *Bar Type Injector (BI)*▶ *Direct Injector Ø4 (DI)*▶ *Bar Type Injector-45° (BI-45)*▶ *Elbow Coupler (EC)*▶ *Flexible Injector (FI)*▶ *Tube Injector (TI)*

※ You can find different ionizing performance if you use fitting tube.