

# Soft X-ray Ionizer

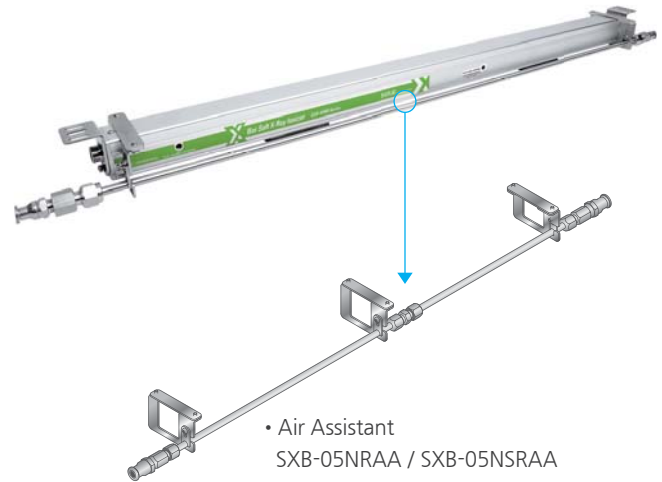
## Electrostatic Total Solution

### SXB-05NRAA / 05NSRAA

It is an air assistant using compressed air to be capable of fast and long distance static elimination. It, additionally, is able to install on the existing Bar Type Soft X-ray Ionizer. And high performance is achieved by optimizing the design of the air injection port.

#### Key Features

- Compressed air brings fast and long distance static elimination.
- Installation as an option on the existing products is available.
- Optimizing the design of the air injection port for high performance.
- Using the SUS material for excellent corrosion protection and durability.

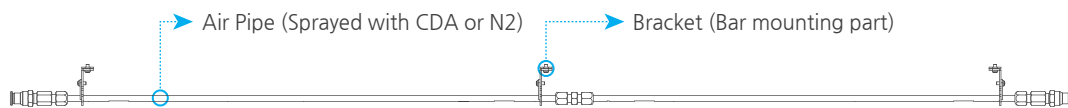


#### Specifications

Parameter	Description / Value	Remarks
Air Purge Supply Pressure	0.1 ~ 0.5MPa	CDA (Clean Dry Air), N2
Material	SUS	
Warranty	1 year	

※ The appearance and specification of the product may be changed without prior notice for the improvement of the product.

#### SXB-05NRAA / SXB-05NSRAA Composition



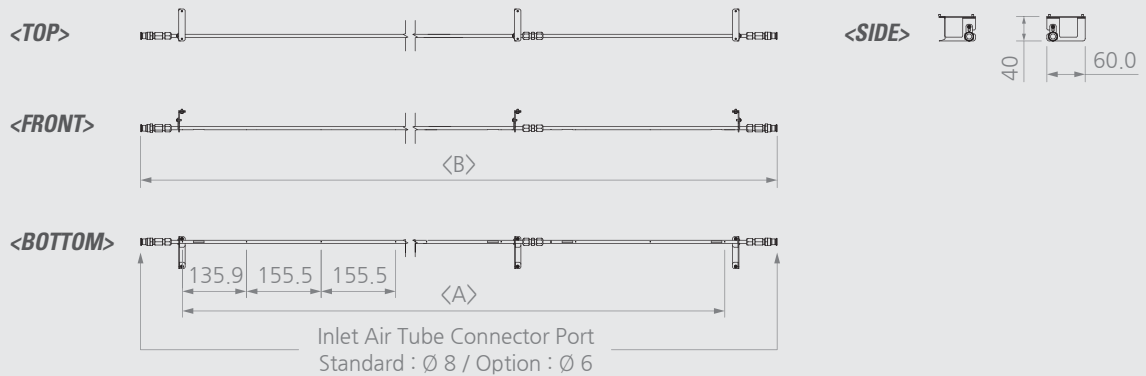
Model No.	Air Pipe	Bracket
SXB-05NRAA-300	1	2
SXB-05NRAA-600	1	2
SXB-05NRAA-900	2	3
SXB-05NRAA-1200	2	3
SXB-05NRAA-1500	3	4
SXB-05NRAA-1800	3	4
SXB-05NRAA-2200	4	5
SXB-05NRAA-2500	4	5
SXB-05NRAA-2800	5	6

# Soft X-ray Ionizer

## Electrostatic Total Solution

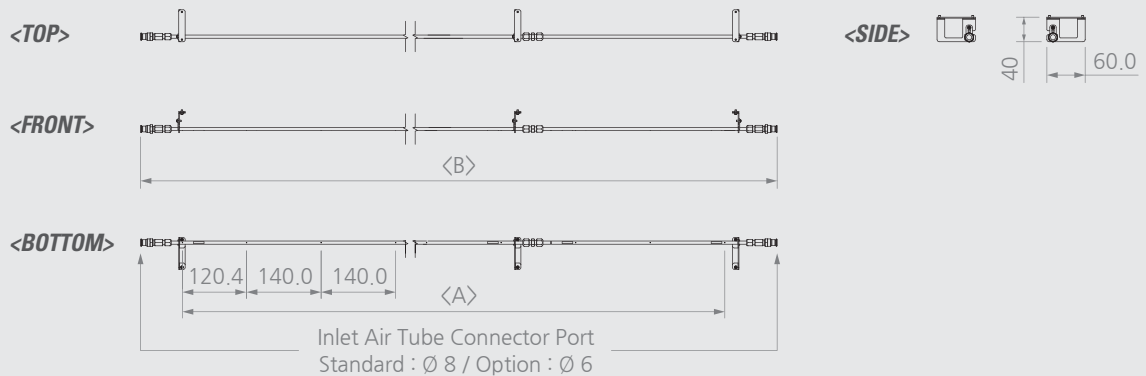
### Dimensions

#### ► SXB-05NRAA



Model No.	A	B
SXB-05NRAA-300	291.4	446.5
SXB-05NRAA-600	602.4	757.5
SXB-05NRAA-900	913.4	1068.5
SXB-05NRAA-1200	1224.4	1379.5
SXB-05NRAA-1500	1535.4	1690.5
SXB-05NRAA-1800	1846.4	2001.5
SXB-05NRAA-2200	2157.4	2312.5
SXB-05NRAA-2500	2468.4	2623.5
SXB-05NRAA-2800	2779.4	2934.5

#### ► SXB-05NSRAA



Model No.	A	B
SXB-05NSRAA-700	680.4	857.5
SXB-05NSRAA-1100	1100.4	1277.5
SXB-05NSRAA-1500	1520.4	1697.5
SXB-05NSRAA-2000	1940.4	2117.5
SXB-05NSRAA-2400	2360.4	2537.5
SXB-05NSRAA-2800	2780.4	2957.5
SXB-05NSRAA-3200	3200.4	3377.5
SXB-05NSRAA-3600	3620.4	3797.5