

Soft X-ray Ionizer

Electrostatic Total Solution

SXH-05T & SXH-10T



SXH-05T



SXH-10T

Key Features

- A model optimized for static electricity removal in ultra-sensitive components such as LCD glass, wafers, and PCBs.
- Compact size allows for unrestricted installation and use, even in confined spaces.
- Ion Balance $\pm 0V$.
- Maintains initial performance throughout its lifespan.
- Does not require CDA (Clean Dry Air) and does not produce particle scattering.
- In accordance with Article 8 of the Nuclear Safety Act Enforcement Decree, it may be exempt from regulation depending on the tube voltage (applies only to SXH-05T).

Specifications

Parameter		Description / Value
Ion Generation Method		Soft X-ray
Source		Soft X-ray Tube
Tube Voltage	SXH-05T	4.9kV
	SXH-10T	11kV
Beam Angle		150°
Power Consumption		Max. 10W (Based on 1 Head)
Operation Circumstance		0°C ~ +50°C(32°F ~ 122°F), 35% ~ 85% RH
Weight		0.29kg
Warranty		1 year

※ The appearance and specification of the product may be changed without prior notice for the improvement of the product.

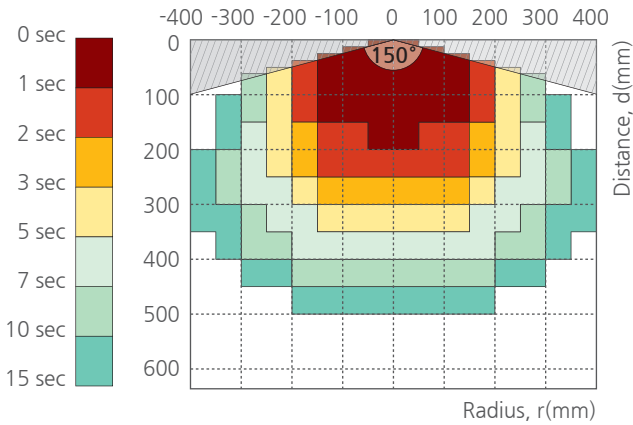
Soft X-ray Ionizer

Electrostatic Total Solution

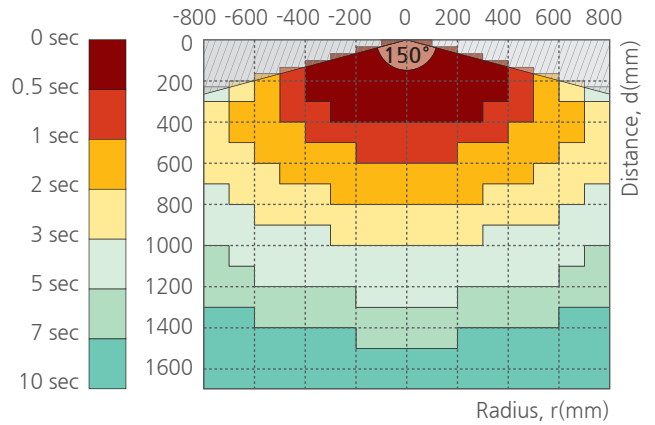
Performance

- Decay Time : $\pm 1,000V$ to $\pm 100V$
- Charge Plate Capacitance : 20pF (150 X 150mm)
- Temperature & Humidity : 24°C, 50%RH

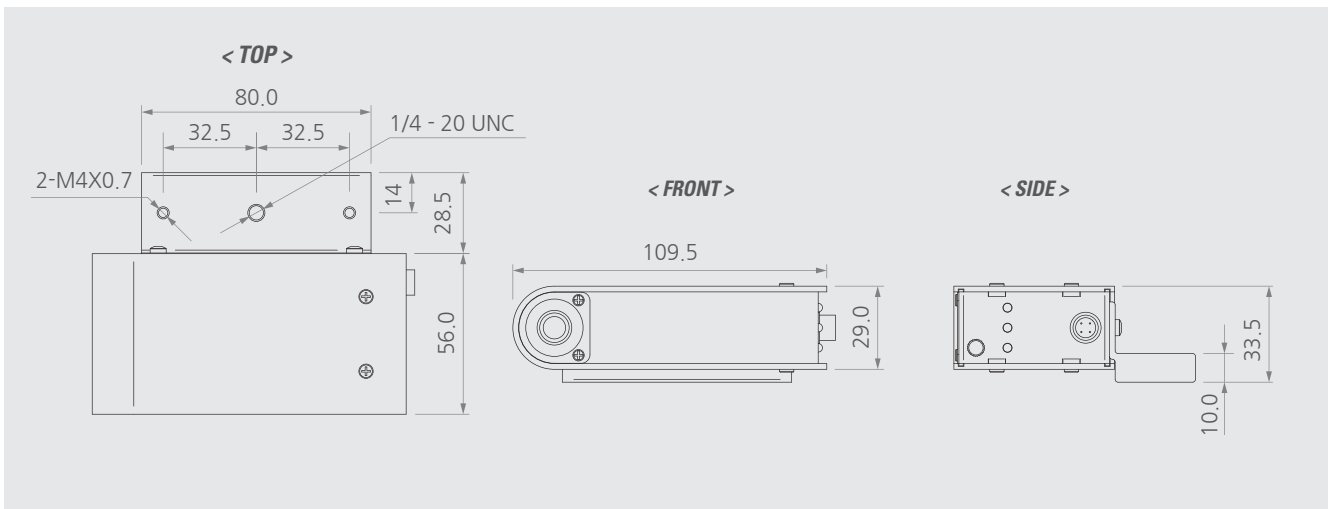
SXH-05T



SXH-10T



Dimensions



Product Composition

Image		
Category	Soft X-ray Ionizer	Fixing Bolt
Item Name	SXH-05T or SXH-10T	SFB-XN-1-001

Connection Controller

Image	
Category	Soft X-ray Controller
Item Name	SXC-104N

Radiation Shielding methods

Electrostatic Total Solution

What are soft X-rays?

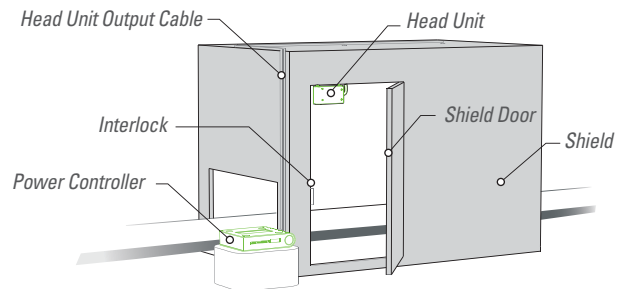
X-ray can be sorted according to its penetrating power, and an X-ray which has weaker penetrating power that can be absorbed easily in thin layer of the air is called the soft X-ray.

Benefits of Soft X-ray Ionizer

- Perfect Ion Balance ($\pm 0V$)
- No CDA (Clean Dry Air) required
- No dust generation
- No ozone (O_3) generation
- High ion generation density
- Static electricity can be removed even under inert gas conditions such as N_2 and Ar

Shield installation compositions

- * Please be careful to avoid direct exposure from the soft X-ray, since it may cause any skin problems. Therefore, you need to shield the area where X-ray emits in order to protect yourself.
- * Please keep in mind that allowed leakage level for radiation dose is $1\mu Sv/hr$ (SXH-05T), $10\mu Sv/hr$ (SXH-10T) or under, So keep your area under the mentioned level all the time.
(The leakage level of radiation dose might differ in countries)
- * Please refer to the below chart for possible materials of shielding and its acceptable thickness.



Radiation

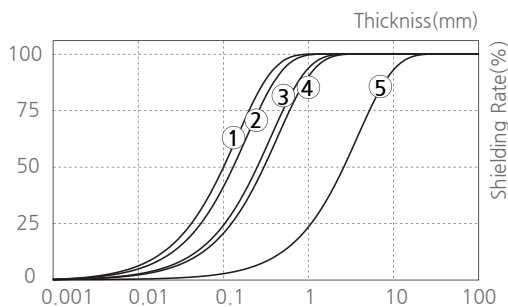
With radiation You can ionize some substance, Energy flow that radiated substance generates.

Radiation is neither accumulated nor contaminated. Due to uncertainty that human cannot judge by five senses, its danger is exaggerated than the actual. Radiation can be made intentionally, but also stays in the nature at all times just like other energy flow.

Shielding methods

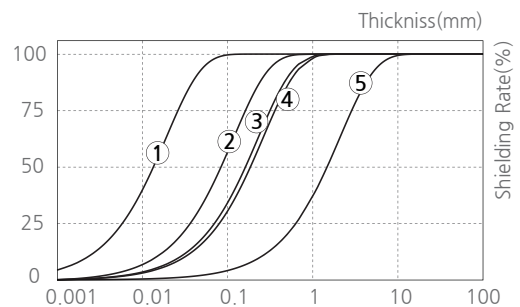
See the following graph for references. Select the ideal tickness and quality of shielding material.

SXH-05T



No.	Shield Material	Thickness [mm]
①	SUS	Over 0.2
②	Aluminium	Over 0.25
③	Glass	Over 0.5
④	PVC	Over 0.6
⑤	Acrylic	Over 5.0

SXH-10T



No.	Shield Material	Thickness [mm]
①	SUS	Over 0.3
②	Aluminium	Over 2.0
③	Glass	Over 4.0
④	PVC	Over 4.5
⑤	Acrylic	Over 40.0

⚠ Warning

- * Please shield the area where the customer is willing to install the soft X-ray device for safety issue.
- * After shielding process, please connection to your own interlock system to operate the X-ray device On/Off when the door is opened/closed.