

# Non-Contact & Portable Type Electrostatic Field Meter



< SPE-20 >



< SPE-100 >

## SPE-20 & SPE-100 (NEW)

It is a contactless type electric voltage sensor that can measure the target object. Within the range of  $\pm 29.999\text{kV}$ , user can measure the target by 1V level in detail SPE-20 is very precise and highly sensitive unit in measurement. Within the range of  $\pm 19,999.9\text{V}$ , user can measure the target by 0.1V level in detail SPE-100 (New) is very precise and highly sensitive unit in measurement.

### Key Features

#### SPE-20

- Contactless type electric voltage measuring device
- Measuring Range : 0V ~  $\pm 29.999\text{kV}$
- Error range  $\pm 2\%$ , Sampling Speed 0.005 sec.
- You can record maximum  $\pm$  voltage (Peak Hold)
- You can set up voltage for alarm (Alarm Setting)

#### SPE-100

- Contactless type electric voltage measuring device
- Measuring Range : 0V ~  $\pm 19,999.9\text{V}$
- No need of drift or zeroing
- By getting rid of error from charged air molecule/ion
- Offering reliable data with high sensitivity sensor

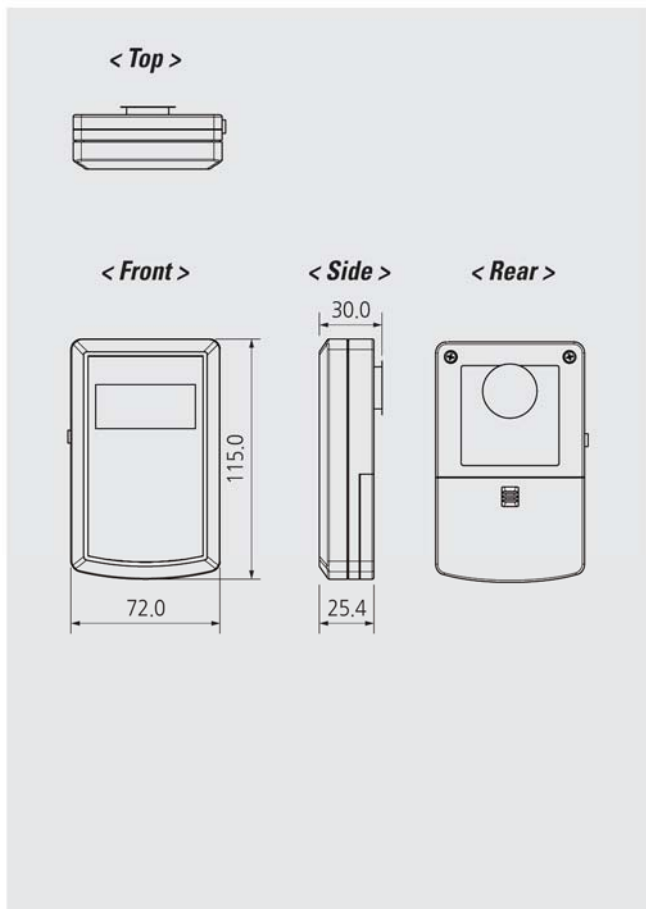
## Specifications

Parameter	Description / Value		Remark
	SPE-20	SPE-100	
Range at 1"	0 to ±29,999kV	0 to ±19,999.9 V	
Resolution at 1"	1 Volt	0.1 Volt	
Accuracy	±2% of reading		
Outputs	Analog Output		
Environmental	-1 C to 43 C (30°F to 110°F) 0-85% RH	-1 C to 43 C (30°F to 110°F), 0-90% RH non-condensing	
Meter Size	72 (W) X 115(H) X 30(D) [mm]	72 (W) X 115(H) X 30(D) [mm]	
Probe Size	-	31Ø x 63.5 mm	
Weight	160 g		
Power	9 Volt Alkaline (~30 hour life)	Battery 9 Volt Alkaline (~6 hour life) / External 9VDC Power adapter	
Warranty	1 Year		

- ※ If measured outside, Ion may disappear by itself because of unexpected exterior natural factors and this can result in inaccurate measurement.
- ※ The appearance and specification of the product may be changed without prior notice for the improvement of the product.

## Dimensions

### ▶ SPE-20



### ▶ SPE-100

