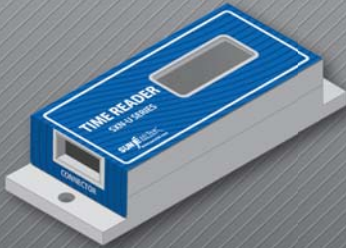


All about electrostatics, our know-how is yours!

The Next Generation Ultra Soft X-ray Ionizer



- ▶ **SXN-154L (Option)**
SXN-15U Power Controller separate type



- ▶ **SXN-TR2 (Option)**
It displays the operation time of SXN-15U



SXN-15U

Suitable Ionizer for super clean process as there is no dust, electromagnetic wave, ozone. High performance with 15kV makes ionization more effective in wide area. Power controller is built in and You can extend X-ray window and control beam direction using flexible arm. With this arm you can ionize over small area or specific area you want to ionize



Key Features

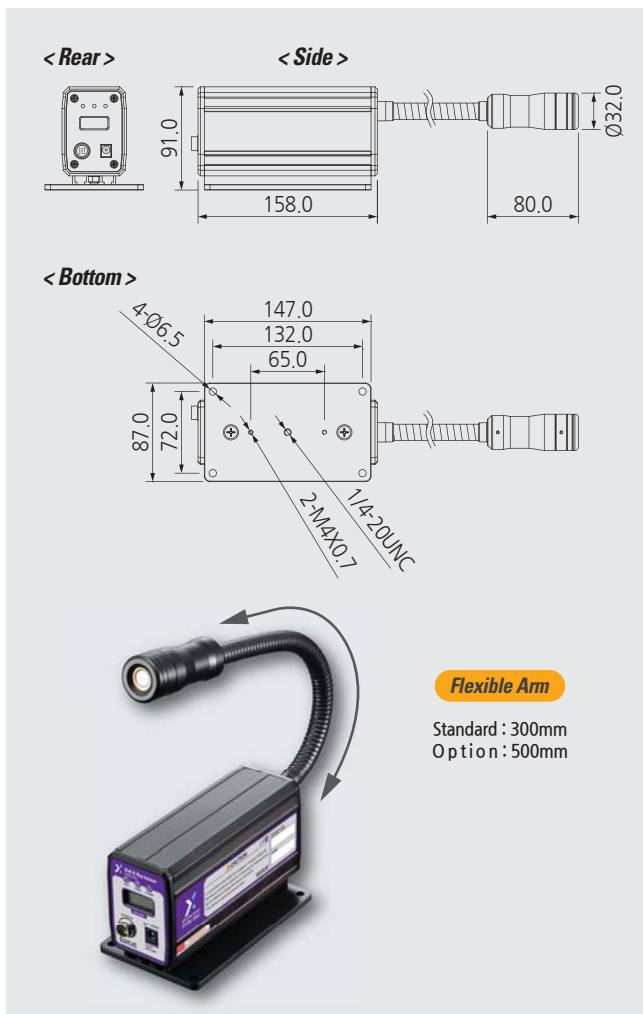
- X-ray radiating direction can be controlled with flexible arm (length:300mm) and this brings you easier, convenient installment condition
- With 15kV application, it is effective for wide area and long distance
- Downsized tube makes possible to install in limited area
- With RMS, possible to check operation status in real time (Option)
- All-in-one type(Power supply built-in) & Easy installation
(Power Controller separate type : Option)

Specifications

Parameter	Description / Value
Ion Generation Method	Soft X-ray
Source	Soft X-ray Tube
Cooling Method	Natural Air Cooling
Mounting Method	Bolt Mounting with Bracket
Power Consumption	13W
Current Consumption	Max. 59mA (AC 220V)
Operation Circumstance	Power : 0°C ~ +36.5°C / Head : 0°C ~ 52°C
Weight	1.4kg
Input Power	AC 100~240V, 50/60Hz(Adaptor Input) DC 24V, 1A Adapter
Alarm	Head Fail
Warning	Life Time Over
Remote / Interlock	Remote / Interlock On/Off Control
Indicator	Alarm State, Over Time State
Warranty	1 Year

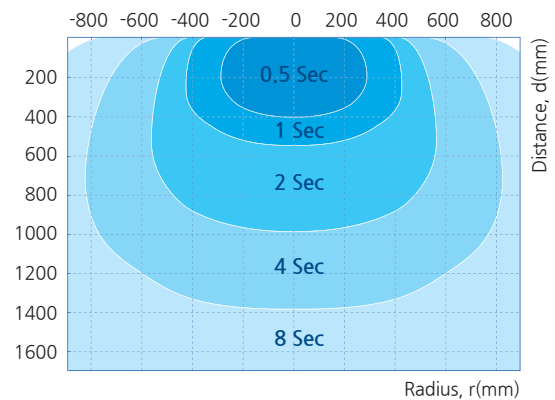
※ The appearance and specification of the product may be changed without prior notice for the improvement of the product.

Dimensions



Performance

▶ Model : SXN-15U



Applications

Existing Products

[The difficulty of installing in a narrow space]
 [Limited static removal range]

SXN-15U

[Easy to install in a narrow space]
 Can be installed and applied in various environment.

Semiconductor Die-Bonding / Wire Bonding / Chip Molding / Trimming & Forming Testing / Polarizer Separating / Glass Cassette / Wafer Cassette / Film Attachment / Exposure / Wafer Oxidation / Etching / Ion Implant / Glass & Wafer Dry / PI Coating / Rubbing / PR Coating / Curing & Baking / Glass Assembly / ODF / Glass & Wafer Cassette Buffer / Conveyor Robot / etc.