

SIB1(N)-C Series



▶ SIB1(N)-C Series (Ionizer)



▶ SNC-21 (Controller)

Key Features

- 고주파 실현을 통한 낮은 Peak Voltage 구현
- 이상 고전압 발생 시 작동 멈춤(Alarm) 기능
- 설치 환경에 따라 입력 전압 조절이 가능 (Controller : SBP-07A2 사용 시)

Specifications

▶ SIB1(N)-C Series (Ionizer)

Parameter	Description / Value
Ion-Generation Method	Corona Discharge Pulse AC
Air Purge Supply Pressure	≤0.5MPa (CDA, N2)
Air Purge Connection Port	Pipe Thread 1/8"
Ion Balance	within ±35V (300mm)
Operating Distance	50mm ~ 1,000mm
Operation Circumstance	0°C ~ +50°C(32°F ~ 122°F), 35% ~ 85% RH
Ozone(O3) Concentration	≤0.05ppm
Main Body Material	Non-Flammable ABS (Level V0), Stainless Steel
Electrode Material	Standard : Tungsten
	Option : Silicon
Electrode Replacement	Cartridge type
Mounting Method	Bolt Mounting with Bracket
High Voltage Cable	Insulation Cable 2m (UL3239_20kV - 1007AWG18)
Warranty	1 year

※ 방전침 사양에 따라 제품 형번이 다릅니다. ex) Tungsten : SIB1(N)-***-C / Silicon : SIB1(N)-***-C-SI / Titanium : SIB1(N)-***-C-TI

※ 디자인 및 제품 사양은 품질향상을 위해 예고 없이 변경될 수 있습니다.

▶ SNC-21 (Controller)

Parameter	Description / Value
Input Power	DC 24V (±5%)
Power Consumption	Max. 4.8W
Connector	Power (DC24V) : DC Jack / RS-485 & Interface : Terminal Block 3.81mm Pitch
Operation Circumstance	0°C ~ +50°C(32°F ~ 122°F), 35% ~ 85% RH
Function	Alarm : High Voltage Alarm, Tip Cleaning Timer Warning
	Interface : - Run/Stop State : Run-Closed / Stop-Open - High Voltage Alarm : Normal-Open / Alarm-Closed - Tip Cleaning Timer Warning : Normal-Open / Alarm-Closed - Remote Input
	RMS : Real Monitoring System (RS485)
Warranty	1 year

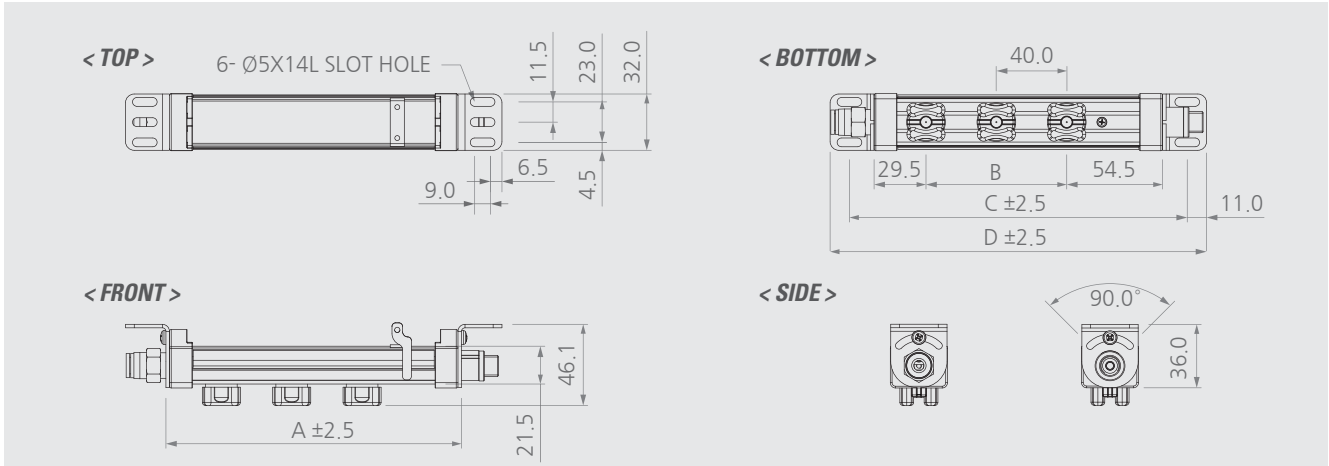
※ 디자인 및 제품 사양은 품질향상을 위해 예고 없이 변경될 수 있습니다.

Ion Bar

Electrostatic Total Solution

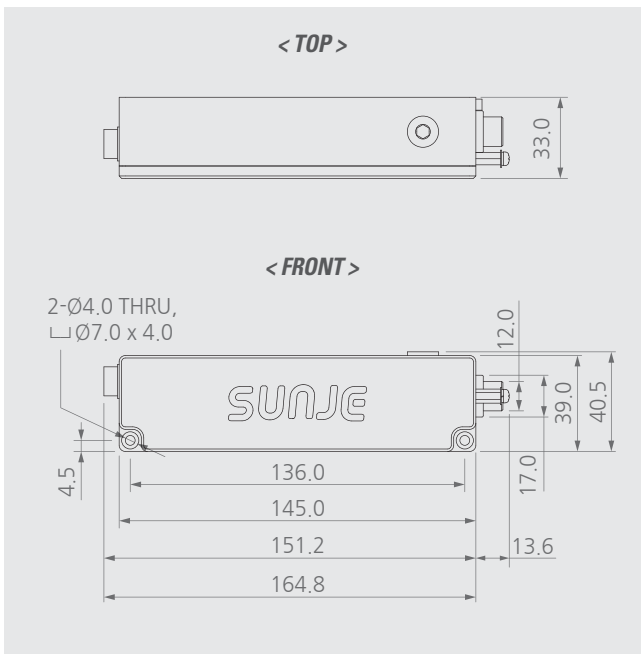
Dimensions

▶ SIB1(N)-C Series (Ionizer)

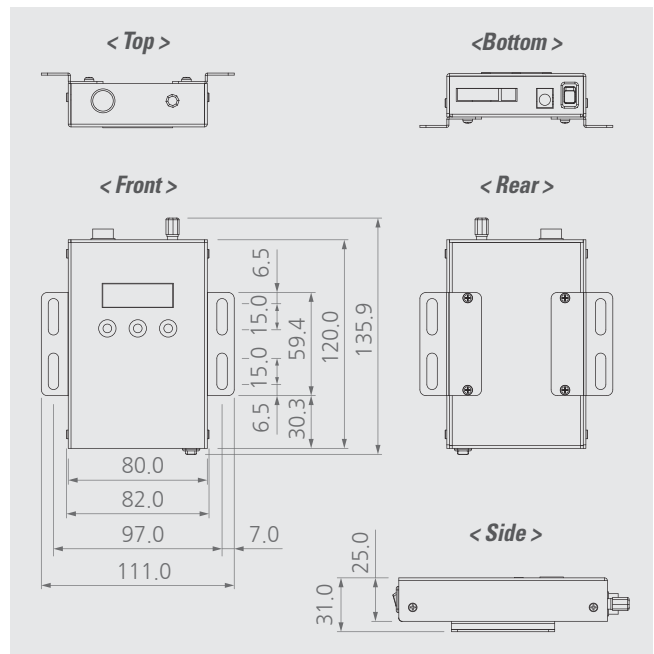


No.	Model No.	Socket	A	B	C	D
1	SIB1(N)-07A-C	1	88	-	112	134
2	SIB1(N)-16A-C	3	168	80	192	214
3	SIB1(N)-20A-C	4	208	120	232	254
4	SIB1(N)-32A-C	7	328	240	352	374
5	SIB1(N)-48A-C	11	488	400	512	534
6	SIB1(N)-64A-C	15	648	560	672	694
7	SIB1(N)-80A-C	19	808	720	832	854
8	SIB1(N)-96A-C	23	968	880	992	1014

▶ SBP-21C (H/V Pack)



▶ SNC-21 (Controller)

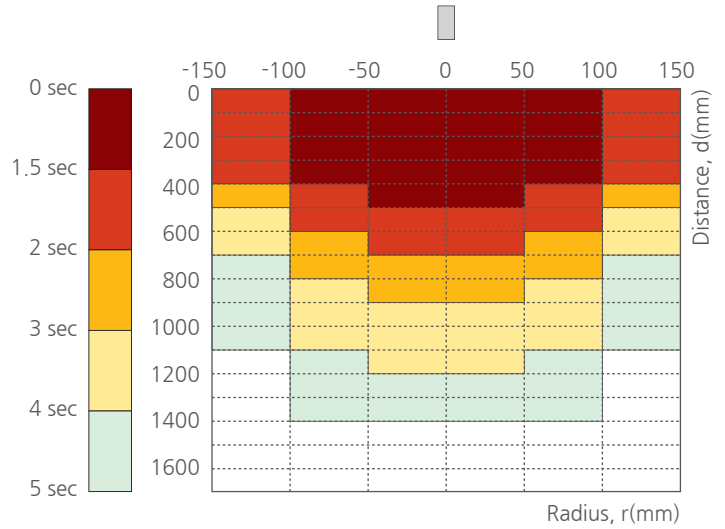


Ion Bar

Electrostatic Total Solution

Decay Time Characteristics

- Socket : Clean Socket (4-Hole-0.2)
- 유 량 : 100LPM
- Air Pressure : 0.3MPa
- Decay Time : $\pm 1,000V$ to $\pm 100V$
- Temperature & Humidity : $24^{\circ}C \pm 1^{\circ}C$, $40\% \pm 2\%RH$
- Charge Plate Capacitance : 20pF (150 X 150 mm)
- Frequency : 260Hz



제품 구성

이미지							or	
품목구분	Ion Bar	H/V Pack	Controller	H/V Cable (2m)	Adapter (1.6m)	Power Cable (AC 100V)	or	Power Cable (AC 220V)
품목명	SIB1(N)-C Series	SBP-21C	SNC-21	SHC-1N-2-001	SAD-MT-3-001	SPC-MT-1-001	or	SPC-MT-2-001

Options

Output Cable (1m)	Ground Cable (1m)	Terminal Block	Terminal Block
SOC-XN-2-002	SGC-MT-2-001	STB-VC-1-001	STB-NC-1-001

이미지		
품목구분	SXC-104N Bracket	SXC-104N Fixing Bolt
품목명	SBR-XN-5-001	SFB-XN-3-001

연결 방법

