

Instruction Manual **SUNJE**

SHV-H

Eng

It is recommended that only persons who have sufficient knowledge and experience such as system designers and responsible persons deal with this product after carefully reading the product manual. We are not responsible for accidents caused by not following the instructions and precautions in the product manual.

1 The matters of safety

⚠ WARNING

- * Do not fabricate or do maintenance by yourself. Malfunction, Electric shock, and fire danger are considered.
Contact us directly if you need the item to be repaired.
<A/S is not possible in case of arbitrary disassembly>
- * Do not let the water touch the product.
It may cause electric shock or fire due to malfunction.
- * When you check or maintain the product, make it sure you turn off the power.
It may cause electric shock or fire due to malfunction.
- * The item should be fixed to the target tightly.
Electric discharging or breakage might happen.
- * Do not apply impact such as dropping or vibration.
There is a risk of product malfunction and damage.
- * Do not use in places where dangerous substances such as igniting or flammable materials exist. This product is not an explosion-proof product.
- * Do not use under normal pressure.
There is a risk of malfunction, electric shock, and fire.

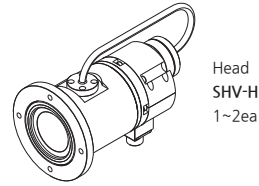
⚠ CAUTION

- * Do not disconnect the output cable with power applied.
There is a possibility of electric shock or malfunction.
- * Connect wires referring to the product manual.
Wrong connection can cause failures.
- * For your proper cable connection, take a look at the manual 「Installation & Connection」, for references.
Any disordered connection is detected, the malfunction might arise.
- * All cables should be connected all the time. Please careful of cable disconnections.
If power or communication cables got damaged, replace them immediately.
Malfunction and fire danger may happen.
- * Do not install the device where the vibration can be detected. Any minor impact or vibration on the device, the malfunction or danger of accident might happen.
- * Do not use the item off the range of usage(Electrostatic elimination).
Malfunction or danger of accident may occur.
- * Please install and use the warning label attached to the product so that it can be checked.
- * Do not touch the irradiation part with bare hands. There is a risk of performance degradation and malfunction due to contamination.
- * Do not scratch the vacuum flange mounting part.
There is a possibility that the vacuum flange performance will deteriorate and the vacuum may not be maintained.

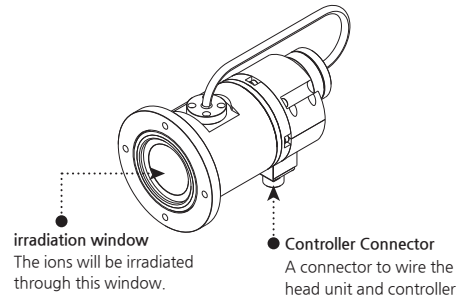
2 Check the package contents

▶ Product compositions

The package includes the following products composition.



3 Nomenclatures of parts



4 Installation and connection

▶ Check the installation conditions head unit

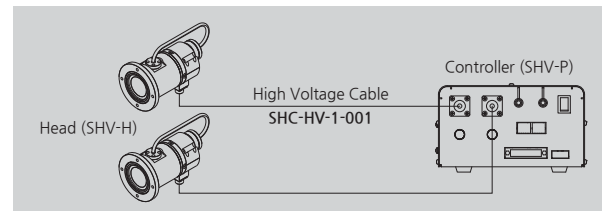
Please check the installation condition whether it meets proper specification.

- Shielded room
- Be aware of any flammable or ignitable materials around the working area.
- There must be no objects between the target area and Ultraviolet ray device.
- Secure to have enough working space for quick maintenance of the device.
- No vibration on the fixed device.
- A place where there are few floating objects or foreign objects around

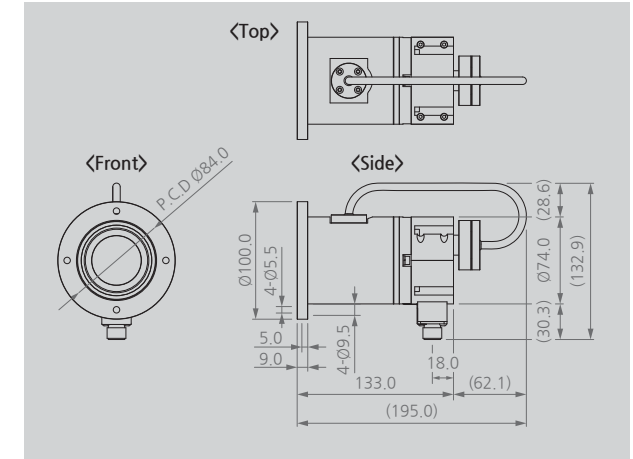
▶ How to connect

Connecting the Head

Please connect the head and controller with supported "Head Cable".



5 Dimensions



6 Specification

Parameter	Description / Value
Ion Generation Method	Electro-Magnetic Field
Operation Circumstance	$10^{-5} \sim 10^{-8}$ torr
Material	SUS 304, Polycarbonate
Weight	2.86kg
Warranty	1 year

※ The appearance and specification of the product may be changed without prior notice for the improvement of the product.

SUNJE Hi-Tek Co., Ltd.

www.sunstat.com

▶ Head Office & Factory (Busan)

8 Cheonggwang-gil, Ilgwang-eup,
Gijang-Gun, Busan, Korea
T) +82-51-720-7500 F) +82-51-720-7501

▶ Sunje (SHANGHAI) Trading Co., Ltd.

205B, Building A, No.1018 Mingzhu Road,
Qingpu District, Shanghai, China
T) +86-21-5433-9761 F) +86-21-5433-9762

▶ Sales Headquarter (Osan)

3rd floor, 129-20, Gyeonggi-daero 632
beon-gil, Osan-si, Gyeonggi-do, Korea
T) +82-31-203-9034 F) +82-31-202-9034

▶ Sunje Technology Co., Ltd.

2F, No.6, Lane.102, Sinhe Rd, Sinfong
Township, Hsinchu County, Taiwan 30472
T) +886-3-568-7891 F) +886-3-568-7950

Customer Center +82-70-7714-9033

Sales Contact +82-31-203-9034