

# Instruction Manual SUNJE

## SVC-K24, SVP-K60 (Eng)

It is recommended that only persons who have sufficient knowledge and experience such as system designers and responsible persons deal with this product after carefully reading the product manual.

### 1 The matters of safety

#### WARNING

- \* Do not fabricate or do maintenance by yourself. Malfunction, Electric shock, and fire danger are considered. Contact us directly if you need the item to be repaired.  
<A/S is not possible in case of arbitrary disassembly>
- \* Do not let the water touch the product. It may cause electric shock or fire due to malfunction.
- \* When you check or maintain the product, make it sure you turn off the power.  
It may cause electric shock or fire due to malfunction.
- \* The item should be fixed to the target tightly. Electric discharging or breakage might happen.
- \* This device is made only for industrial uses. You need to ground the device beforehand.  
Otherwise, there are in case of malfunction, electric shock, or fire damage.

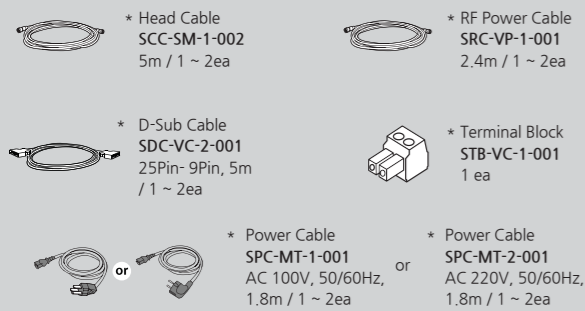
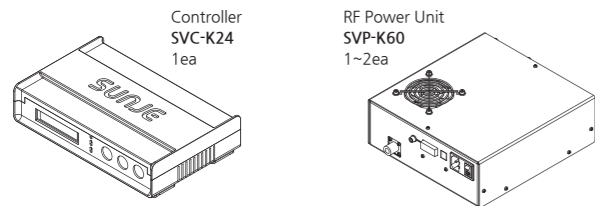
#### CAUTION

- \* Do not disconnect the output cable with power applied.  
There is a possibility of electric shock or malfunction.
- \* Connect wires referring to the product manual. Wrong connection can cause failures.
- \* For your proper cable connection, take a look at the manual "Installation & Connection" for references. Any disordered connection is detected, the malfunction might arise.
- \* All cables should be connected all the time. Please careful of cable disconnections. If power or communication cables got damaged, replace them immediately.  
Malfunction and fire danger may happen.
- \* Do not install the device where the vibration can be detected. Any minor impact or vibration on the device, the malfunction or danger of accident might happen.
- \* Do not use the item off the range of usage(Electrostatic elimination).  
Malfunction or danger of accident may occur.

### 2 Check the package contents

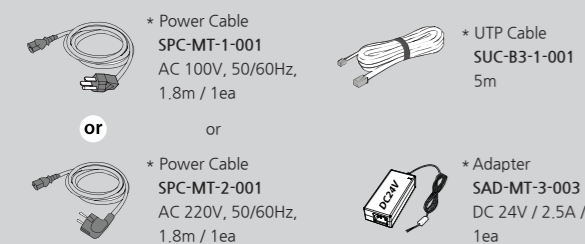
#### Product compositions

The package includes the following products composition.



#### Option

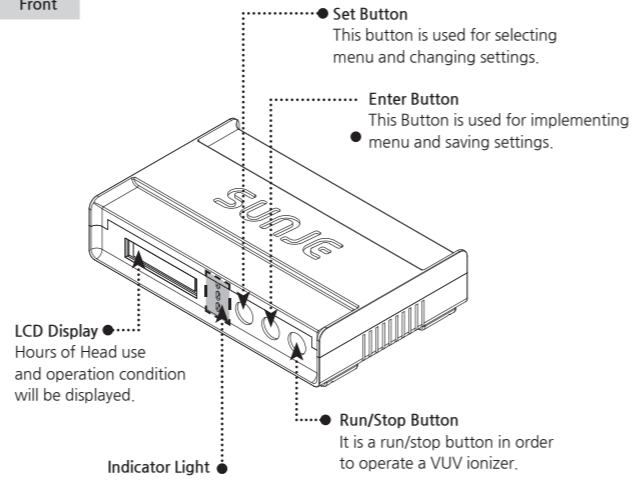
If you require extra functions with the basic accessories we provided, you need to purchase optional items in below for further assistant.



### 3 Nomenclatures of parts

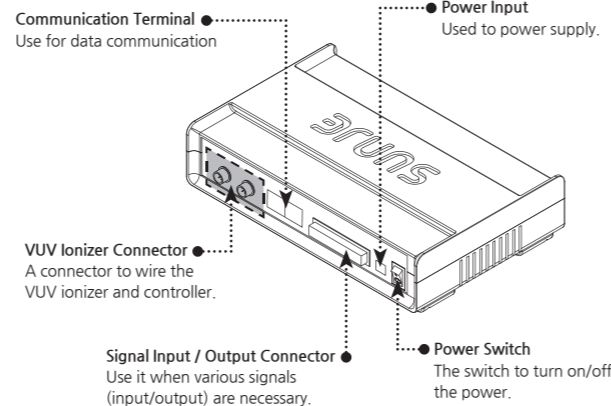
#### SVC-K24

##### Front

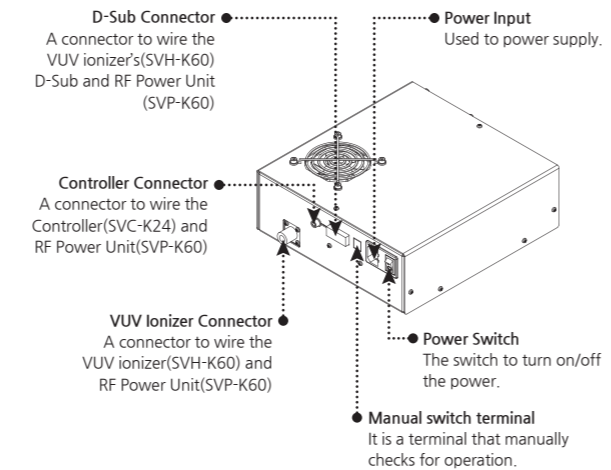


LAMP 1 - Green LED	Green LED will be turned on when LAMP 1 is operating.
- Orange LED	Orange LED will be turned on when Overtime Warning is occurred. (Over 1,800h)
- Red LED	Red LED will be turned on when Overtime Alarm is occurred. (Over 2,000h)
LAMP 2 - Green LED	Green LED will be turned on when LAMP 2 is operating.
- Orange LED	Orange LED will be turned on when Overtime Warning is occurred. (Over 1,800h)
- Red LED	Red LED will be turned on when Overtime Alarm is occurred. (Over 2,000h)
INTERLOCK - Green LED	Green LED will be turned on if Interlock is ON

##### Rear



#### SVP-K60

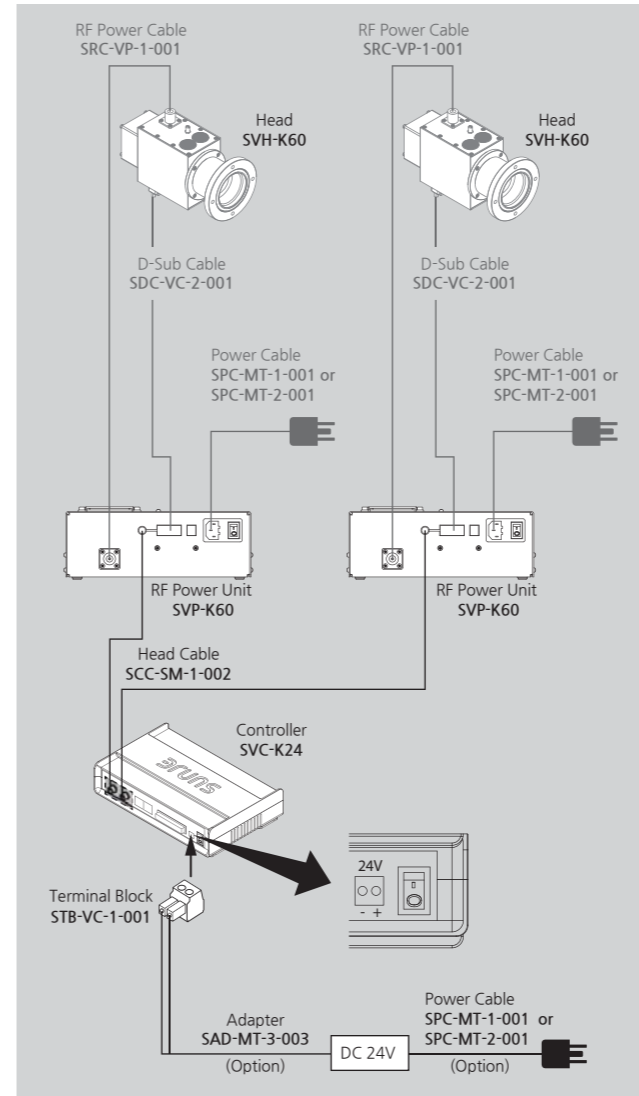


### 4 Installation and connection

#### How to connect

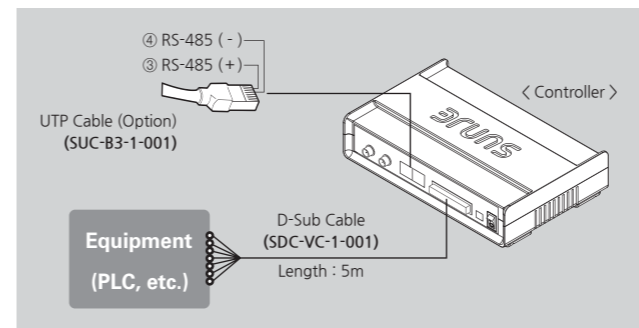
##### Connecting Controller and Head

Using the provided cable and Adapter(Optional), connecting as below.



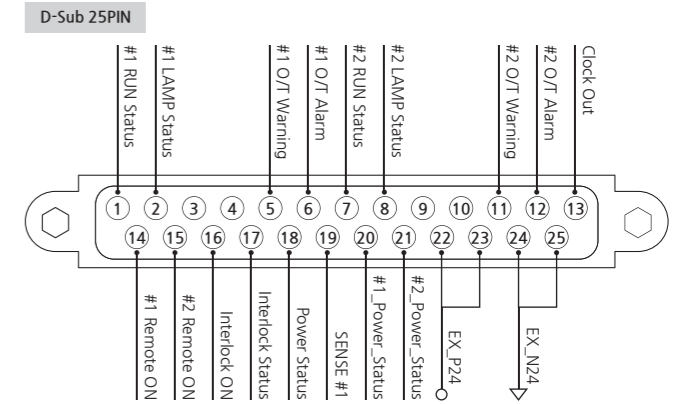
##### Connecting the Input & Output Signal

Please connect the controller and external machinery equipment with supported "D-Sub Cable".



#### Connecting the Interface

Use the Signal Cable as chart below.

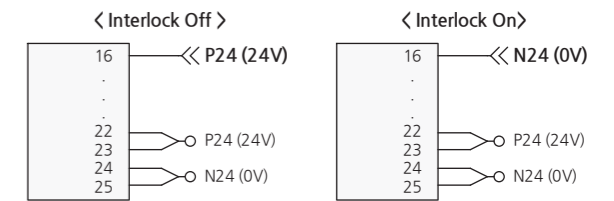


Pin No.	Function	Input/Output	Action
1	#1 RUN Status	Output	When #1 is operating, 0V output(Input "Run" signal)
2	#1 LAMP Status	Output	When #1 is turned on, 0V output(When LAMP On)
3			Reserve
4			Reserve
5	#1 O/T Warning	Output	#1 Over 1,800h using time, 0V output
6	#1 O/T Alarm	Output	#1 Over 2,000h using time, 0V output
7	#2 RUN Status	Output	When #2 is operating, 0V output(Input "Run" signal)
8	#2 LAMP Status	Output	When #2 is turned on, 0V output(When LAMP On)
9			Reserve
10			Reserve
11	#2 O/T Warning	Output	#2 Over 1,800h using time, 0V output
12	#2 O/T Alarm	Output	#2 Over 2,000h using time, 0V output
13	Clock Out	Output	SVC-K24 Operates properly, Clock on (1Hz)
14	#1 Remote On	Input	#1 Remote On Input (0V)
15	#2 Remote On	Input	#2 Remote On Input (0V)
16	Interlock On	Input	Interlock Input (0V)
17	Interlock Status	Output	When Interlock On 0V output
18	Power Status	Output	When SVC-K24 Power On, 24V output
19	Sense #1	Input	Input 0V, #1,#2 On
20	#1 Power Status	Output	#1 Head Power Output Monitoring
21	#2 Power Status	Output	#2 Head Power Output Monitoring
22	EX_P24	Input	Out power (P24) Input
23	EX_P24	Input	Out power (P24) Input
24	EX_P24	Input	Out power (N24) Input
25	EX_P24	Input	Out power (N24) Input

\* External power connection is required when using the interface

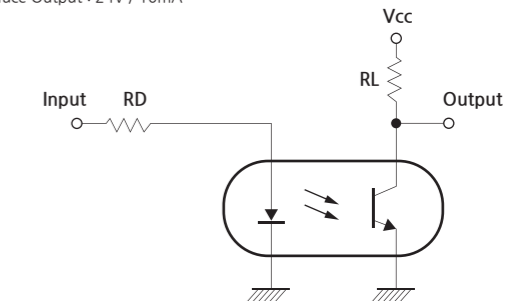
- Required
- No. 22, 23 : P24 input (24V)
- No. 24, 25 : N24 input (0V)

Configuration Example)



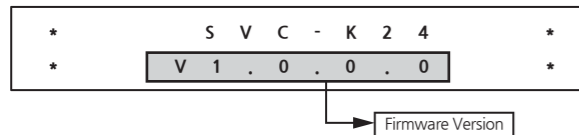
#### Output circuit diagram

Interface Output : 24V / 10mA



5 How to operate SVC-K24

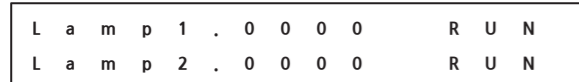
▶ Operates when power is on  
It switches to the default screen after displaying about 1 seconds.



▶ Main Screen

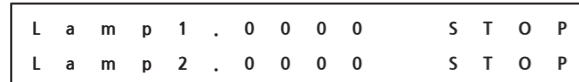
Steady State

Lamp Run



- Display Lamp1, Lamp2 using time and indicates "RUN" if light the lamp.

Lamp Stop



- Display Lamp1, Lamp2 using time and indicates "STOP" if light no lamp.

Alarm State

Lamp Run



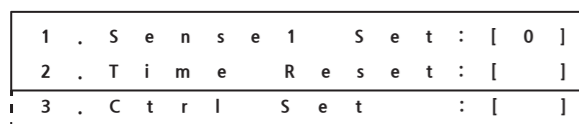
Lamp Stop



- During operating, indicates the Alarm information if Alarm occur.  
→ The Head that Alarm occurred will indicates Alarm information and using time every 5 sec.  
- Indicates Alarm information.  
→ Time Warning : "WA" → Time Alarm : "AL"

▶ Menu

Press Enter Switch for 2 sec, enter the Menu Page.

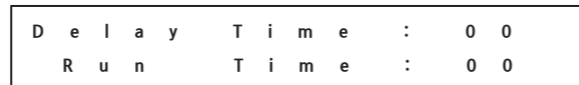


1. Select the Page  
- Able to select the Page at Menu Page.  
- Select menu sequentially by pressing the Select button. (Scroll up)

2. Change the Page  
- Press Enter to enter the selected menu.  
- Press Enter Switch for 2 sec, change the Main Page.

Sensor Control Setting

Sensor Control Delay / Run Time Setting



■ How to set  
- Blinking will indicate the setting number.  
- Setting (0~9) with Select button.  
- Change to next digit with Enter button.

■ Setting 0 ~ 99 sec available

■ After the setting is completed, press Enter button over 2 sec.  
→ If any setting changes, save the setting information and indicate Power Off.  
→ If no setting changes, change to Menu page.

※ What is sensor mode?  
This is a function that investigates VUV during the run time after the delay time set in the controller when a sensor signal is input. When using sensor mode, control commands other than sensors are ignored.

Sensor Mode	Remote	RS-485	Switch
On	X	X	X
Off	1	2	3

Initialize hours of use

Lamp1/Lamp2 Using time initialization

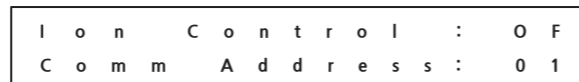


■ How to set  
- Blinking will indicate the possible setting digit.  
- Setting with Select button. (ON or OF)  
- Change to next digit with Enter button.  
- Only OF setting is available, if the status is not Overtime Warning or Alarm.

■ When setting is completed, press the Enter button over 2 sec.  
→ ON : After Time Reset, Indicate Power Off.  
(Only time will be initialized for the Lamp which is set as Reset ON)  
→ OF : Change Menu page (When the setting of Lamp1, Lamp2 is OF)

Operating mode Setting

Set the Controller operating mode

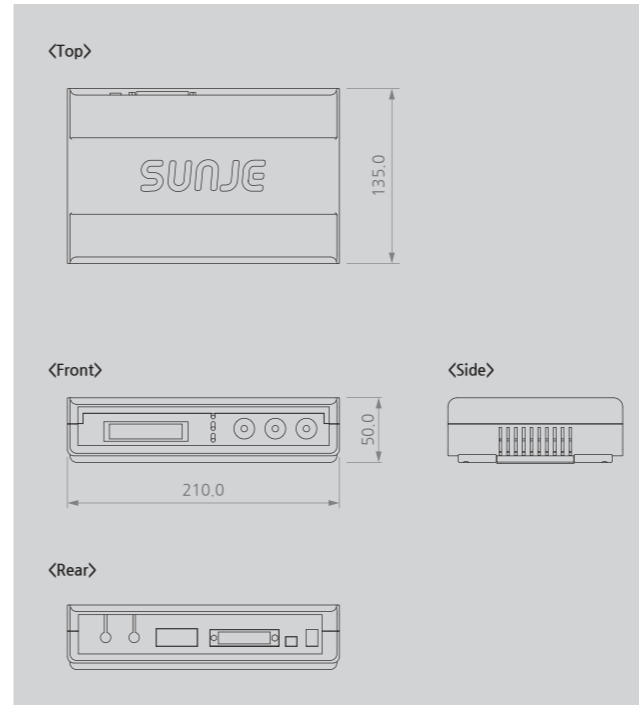


■ How to set  
- Blinking will indicate the possible setting digit.  
- Setting with Select button.  
→ Ion Control ( OF : Remote Control / ON : Sensor Control)  
→ Comm Address : Setting communication address (1 ~ 16)  
- Change to next digit with Enter button.

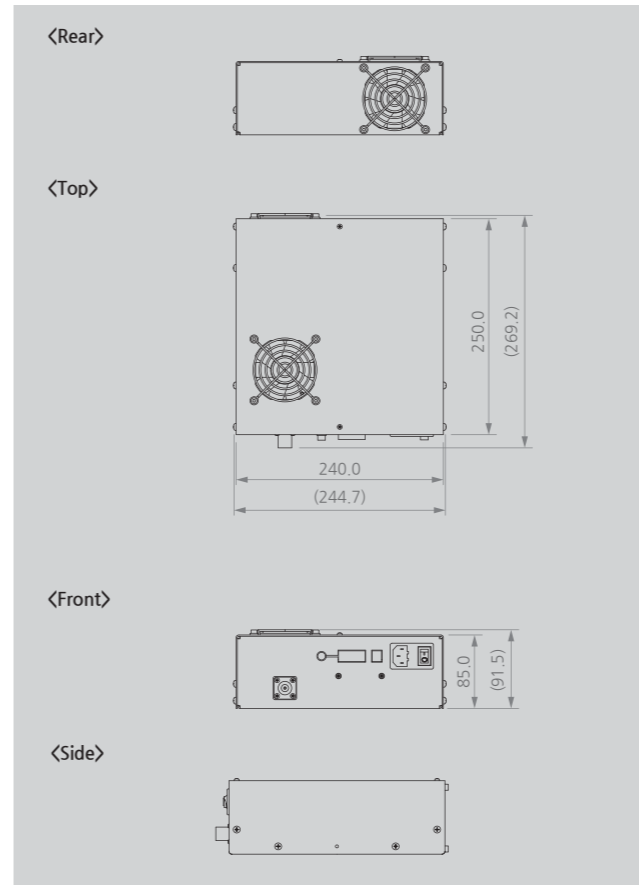
■ When setting is completed, press the Enter button over 2 sec.  
→ If any setting changes, save the setting information and indicate Power Off.  
→ If no setting changes, change to Menu page.

6 Dimensions

▶ SVC-K24



▶ SVP-K60



7 Specification

▶ SVC-K24

Parameter	Description / Value	
Input Power	24V (± 5%)	
Current	Max 1.5A (Lamp 2個連結基準)	
Display Specification	LCD	16 X 2 CLCD
	LED	3ea (Lamp1, Lamp2, Interlock)
Local Control	Push Switch	3ea (Set, Enter, Run)
Interface	Input	5ea
		Lamp1/ Lamp2 Remote, Interlock, Sensor Control, Power Input
	Output	11ea
Lamp1 : Run Status, Lamp Status, Overtime Warning, Overtime Alarm Lamp2 : Run Status, Lamp Status, Overtime Warning, Overtime Alarm, Interlock, Power, Clock Out		
Communication	Modbus_RTU支援(Address Map別途提供)	
Connectable Lamp	SVH-K24 2ea	
Weight	0.62 Kg	
Warranty	1 year	

※ デザイン及び製品仕様は品質向上のため予告なく変更される場合があります。

▶ SVP-K60

Parameter	Description / Value	
Input Power	AC 100~240V, 50/60Hz	
Power Consumption	Max. 120W	
Power Fuse	250V, 3A, 5X20 Glass Type	
RF Output Power	60W	
Interface	Input : Remote On (Contact)	
	Output : Lamp State	
Connectable Lamp	SVH-K60 1ea	
Cable	RF : N Type, Max 5m	
	Power / Signal : D-Sub-9, Max 5m	
Weight	2.76 Kg	
Warranty	1 year	

※ The appearance and specification of the product may be changed without prior notice for the improvement of the product.

SUNJE Hi-Tek Co., Ltd.

www.sunstat.com

Head Office & Factory (Busan)  
8 Cheonggwang-gil, Ilgwang-eup,  
Gijang-gun, Busan, Korea  
T) +82-51-720-7500 F) +82-51-720-7501

Sunje (SHANGHAI) Trading Co.,Ltd.  
205B, Building A, No.1018 Mingzhu Road,  
Qingpu District, Shangha, China  
T) +86-21-5433-9761 F) +86-21-5433-9762

Sales Headquarter (Osan)  
3rd floor, 129-20, Gyeonggi-daero 632  
beon-gil, Osan-si, Gyeonggi-do, Korea  
T) +82-31-203-9034 F) +82-31-202-9034

Sunje Technology Co., Ltd.  
2F, No.6, Lane.102, Sinhe Rd, Sinfong  
Township, Hsinchu County, Taiwan 30472  
T) +886-3-568-7891 F) +886-3-568-7950

Customer Center +82-70-7714-9033 Sales Contact +82-31-203-9034